

For the heating engineer

Installation instructions geoTHERM



Heat pump

VWS

Contents

1	Notes on the documentation.....	3
1.1	Storage of the documents.....	3
1.2	Symbols used.....	3
1.3	Applicability of the manual.....	4
1.4	CE label.....	4
1.5	Intended use.....	4
2	Description of the appliance	5
2.1	Data badge.....	5
2.2	Functional principle	6
2.3	Design of the heat pump.....	7
2.4	General notes on operating modes and functions.....	9
3	Safety instructions and regulations	10
3.1	Safety instructions	10
3.2	Regulations, rules, guidelines	10
3.3	Coolants.....	11
4	Assembly and installation	12
4.1	Accessories.....	12
4.2	Requirements of the installation site	12
4.3	Dimensions and clearances.....	13
4.4	Assembly/Installation at a glance	14
4.5	Preparatory work in the installation area	14
4.6	Requirements of the heating circuit.....	15
4.7	Scope of delivery	15
4.8	Unpacking the unit and checking the delivery ..	16
4.9	Transporting the heat pump.....	16
4.10	Installing the heat pump	17
4.11	Removing the cladding.....	18
4.12	On-site installation.....	19
4.12.1	Assembly of the heating system.....	20
4.12.2	Assembly, brine circuit	20
4.13	Fitting the VRC DCF outside temperature sensor.....	21
4.14	Fitting the VR 90 remote control unit.....	21
4.15	Installing the VR 60 mixer module.....	21
5	Filling the heating and heat source systems	21
5.1	Filling the heating circuit	21
5.2	Filling the brine circuit.....	21
6	Electrical installation	24
6.1	Safety and installation information.....	24
6.2	Regulations pertaining to electrical installations	24
6.3	Electronic box	25
6.4	Connecting the power supply	25
6.4.1	Unblocked mains supply (Electroplan 1).....	26
6.4.2	Dual circuit feed, heat pump tariff (Electroplan 2)	27
6.4.3	Dual circuit feed, special tariff (Electroplan 3)	28
6.4.4	Connecting external components.....	29
6.4.5	Simultaneous operation of the compressor and auxiliary heating.....	30
6.5	Controller PCB at a glance	31
6.6	Wiring the controller PCB	32
6.6.1	Connecting the VR 10 standard sensor	32
6.6.2	Direct heating operation (Hydraulic plan 1)	33
6.6.3	Mixer circuit with buffer cylinder (Hydraulic plan 2).....	34
6.6.4	Direct heating operation and domestic hot water cylinder (Hydraulic plan 3)	35
6.6.5	Mixer circuit with buffer cylinder and domestic hot water cylinder (Hydraulic plan 4).....	36
6.7	Connecting the DCF receiver	37
6.8	Connecting accessories.....	37
6.8.1	Installing the VR 90 remote control unit.....	37
6.8.2	Connecting further mixer circuits	38
6.8.3	Connecting vrnetDIALOG.....	38
6.9	Connecting an external boiler	39
6.10	Fitting the cladding and the control panel	39
7	Start-up.....	41
7.1	General points regarding start-up	41
7.2	Operating the controller	42
7.2.1	Finding your way around the controller	42
7.2.2	Calling up the screens	42
7.3	Carrying out the initial commissioning	43
7.4	Bleeding the brine circuit.....	44
7.5	Bleeding the heating circuit	44
7.6	Handing the system over to the operator.....	44
8	Controller	45
8.1	Operating modes and functions.....	45
8.2	Automatic auxiliary functions.....	45
8.3	Settable auxiliary functions.....	46
8.3.1	Auxiliary functions in the Operator Level:	46
8.3.2	Auxiliary functions in the Code Level:.....	46
8.3.3	Auxiliary functions via vrDIALOG:	47
8.4	Description of the controller.....	47
8.4.1	Possible system circuits.....	47
8.4.2	Energy balance controller	47
8.4.3	Charging principle buffer cylinder.....	48
8.4.4	Resetting to factory settings.....	48
8.4.5	Controller structure	48
8.5	Operator level sequence diagram	49
8.6	Code level sequence diagram	50
8.7	Displays in the operator level	52
8.8	Displays in the code layer	57
8.9	Installer Menu	65
8.10	Parameters that can be set with vrDIALOG 810/2 ..	67
9	Inspection and maintenance	69
9.1	Notes for maintenance	69
9.2	Carrying out maintenance work.....	69
9.4	Test operation and restarting.....	69
10	Troubleshooting and diagnosis	70
10.1	Error messages on the controller.....	70
10.2	Malfunctions of eBUS components	71

10.3	Displays in the error memory and under "Warning message"	71
10.4	Temporary shut-down	72
10.5	Blocking error	74
10.6	Other errors/malfunctions	76
11.2	Packaging.....	77
11.3	Coolants.....	77
12	Warranty and customer service	77
12.1	Vaillant warranty.....	77
12.2	Vaillant Service.....	77
13	Technical data	78
14	Start-up checklist.....	80
15	Reference	82
Appendix	85	
	Sensor characteristics.....	85
	VRC-DCF outside temperature sensor.....	86
	Heat pump schematic.....	87
	Electrical circuit diagram	88

1 Notes on the documentation

The following notes are intended as guidance throughout the entire documentation. Further documents apply in combination with this installation manual.

We accept no liability for any damage caused by failure to observe these instructions.

Other applicable documents

For the owner of the system:

Operating manual No. 0020045200

For the heating engineer:

Installation instructions,
VPS buffer cylinder No. 0020070601
Installation Manual for vrnetDIALOG No. 839189
Installation manual for vrDIALOG No. 0020023003

The manuals for any accessories and controllers used also apply.

1.1 Storage of the documents

Please pass this installation manual and all other valid documents on to the owner of the installation in order for him or her to store it so that it is available whenever it is required.

1.2 Symbols used

Please observe the safety instructions in this installation manual for the installation of the appliance.



Danger!
Immediate risk of serious injury or death!



Danger!
Danger of death by electric shock!



Danger!
Danger of burning and scalding!



Caution!
Potentially dangerous situation for the product and environment.



Note!
Useful information and instructions

- Symbol for a necessary task

1 Notes on the documentation

1.3 Applicability of the manual

These installation instructions apply exclusively to appliances with the following part numbers:

Type name	Article number
VWS 61/2 230 V	0010005501
VWS 81/2 230 V	0010005502
VWS 101/2 230 V	0010005503

Table 1.1 Type designations and article numbers

The part number of the equipment can be taken from the identification plate.

1.4 CE label

With the CE mark, we confirm as equipment manufacturers that the appliances in the geoTHERM range satisfy the basic requirements of the following Directives:

- Electromagnetic Compatibility Directive (Council Directive 89/336/EEC)
- Low voltage directive (73/23/EEC)
- EN 14511 (heat pumps with electrically-driven compressors for heating, specifications for appliances for space heating and for warming drinking water)
- EN 378 (safety and environmentally related specifications for refrigerating systems and heat pumps)

1.5 Intended use

The Vaillant geoTHERM heat pumps are state-of-the-art appliances which have been constructed in accordance with recognised safety regulations. Nevertheless, there is still a risk of death or serious injury to the user or others or of damage to the device and other property in the event of improper use or use for which it is not intended.

This unit is not intended for use by persons (including children) having limited physical, sensory or mental capacities or who have inadequate experience and/or knowledge, unless they are supervised by a person responsible for their safety or have been given instructions by him regarding the operation of the unit. Children must be supervised to ensure that they do not play with the unit.

The units are intended as heaters for closed hot-water central heating installations and for hot water generation. Any other use or extended use is considered to be improper. The manufacturer or supplier is not liable for any resulting damage. The user alone bears the risk.

The appliances are intended for operation on a power supply network with a system impedance Z_{\max} at the transfer point (house connection) of 0.16 ohms maximum.

Intended use includes the observance of the installation manual.



Caution!
Any improper use is forbidden.

The appliances must be installed by a heating engineer, who is responsible for adhering to the existing regulations, rules and guidelines.

2 Description of the appliance

2.1 Data badge

An identification plate is attached to the baseplate on the inside of the geoTHERM heat pump. The type designation is located at the top on the grey frame of the pillar (also see Fig. 2.4, Item 1).

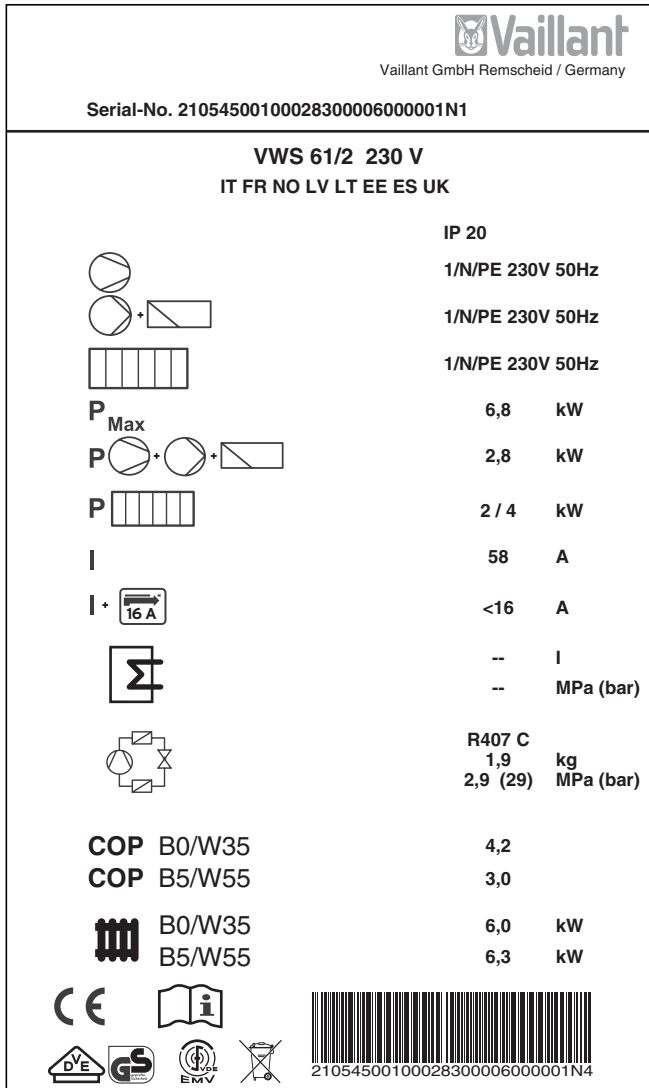


Fig. 2.1 Example of an identification plate

Explanation of the symbols on the identification plate

	Rated voltage - compressor
	Rated voltage - pumps + controller
	Rated voltage - auxiliary heating
P _{Max}	Rated maximum power
P	Rated power - compressor, pumps and controller
P	Rated power - auxiliary heating
I	Start-up current without start-up current limiter
I +	Start-up current with start-up current limiter
	Service water tank capacity
	Permissible rated overpressure
	Coolant type
	Filling quantity
	Permissible rated overpressure
COP B0/W35	Performance figure at a brine temperature of 0 °C and a heating flow temperature of 35 °C
COP B5/W55	Performance figure at a brine temperature of 5 °C and a heating flow temperature of 55 °C
	B0/W35
	B5/W55
	Heating output at a brine temperature of 0 °C and a heating flow temperature of 35 °C
	Heating output at a brine temperature of 5 °C and a heating flow temperature of 55 °C
	CE mark
	VDE/GS mark
	Read the Operating and Installation Manual!
IP 20	Humidity protection class
	Ensure proper disposal at the end of its useful life (not household waste)
	Serial Number

Table 2.1 Explanation of symbols

2 Description of the appliance

2.2 Functional principle

Heat pump systems consist of separate circuits in which liquids or gases transport the heat from the heat source to the heating system. As these circuits operate with differing media (brine/water, coolant and heating water), they are coupled to one another by means of heat exchangers. In these heat exchangers the heat passes from a medium at a high temperature to a medium at a lower temperature.

The Vaillant geoTHERM heat pump uses geothermal energy as its heat source.

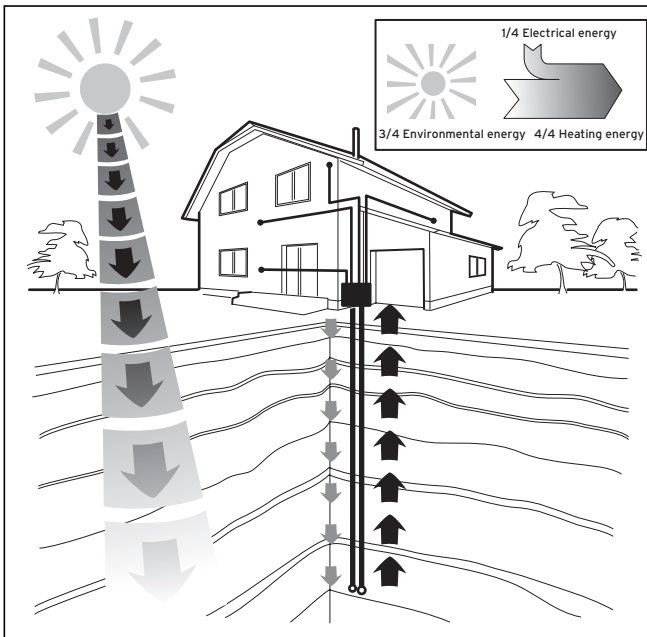


Fig. 2.2 Utilisation of heat sources such as geothermal energy or ground water

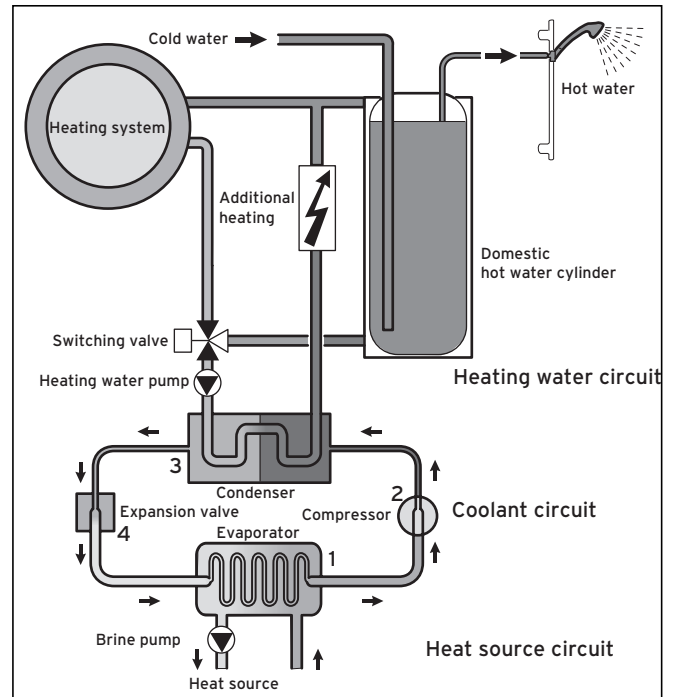


Fig. 2.3 Mode of operation of the heat pump

The system consists of separate circuits which are coupled to one another by means of heat exchangers. These circuits are:

- The heat source circuit, by means of which the energy from the heat source is transported to the coolant circuit.
- The coolant circuit, which releases its heat to the heating water circuit by means of evaporation, compression, liquefaction and expansion.
- The heating water circuit, which supplies the heating and the hot water generation for the domestic hot water cylinder.

The coolant circuit is connected by means of the evaporator (1) to the environmental heat source, from which it extracts thermal energy. At the same time, the physical state of the coolant changes; it evaporates. The coolant circuit is connected by means of the condenser (3) to the heating system, to which it releases the heat again. In so doing, the coolant becomes liquid again; it condenses.

As thermal energy can only pass from a body at a higher temperature to a body at a lower temperature, the coolant in the evaporator must have a lower temperature than the environmental heat source. On the other hand, the temperature of the coolant in the condenser must be higher than that of the heating water in order to be able to release the heat to it.

These different temperatures are produced in the coolant circuit by means of a compressor (2) and an expansion valve (4), which are situated between the evaporator and the condenser. The coolant flows in vapour form from the evaporator into the compressor, where it is compressed. This causes the pressure and temperature of the coolant vapour to rise sharply. The coolant then flows through the condenser, where it releases its heat to the heating water by means of condensation. It flows as a liquid to the expansion valve, where it expands significantly and in so doing loses much of its pressure and temperature. This temperature is now lower than the brine/water flowing through the evaporator. The coolant can thus take up more heat in the evaporator, turning into vapour in the process and flowing to the compressor. The cycle starts again.

If required, the electric auxiliary heating can be switched in by means of the integrated controller.

To prevent the formation of condensate in the interior of the unit, the pipes of the heat source circuit and the coolant circuit are insulated. If condensate forms, this collects in a pan (see Fig. 2.6, Item 11) and is led away under the unit. Drop formation under the unit is thus possible.

2.3 Design of the heat pump

The Vaillant geoTHERM heat pump is available in the following models. The heat pump are, above all, different from each other in their output.

Type name	Heating output (kW)
Brine water heat pumps (S0/W35)	
VWS 61/2 230 V	6.0
VWS 81/2 230 V	8,1
VWS 101/2 230 V	10.5

Table 2.2 Type summary

You can read the type designation of the heat pump from the sticker (see Fig. 2.4, Item 1) on the pillar frame. The heat pump is designed to implement all current electrical supply tariffs.

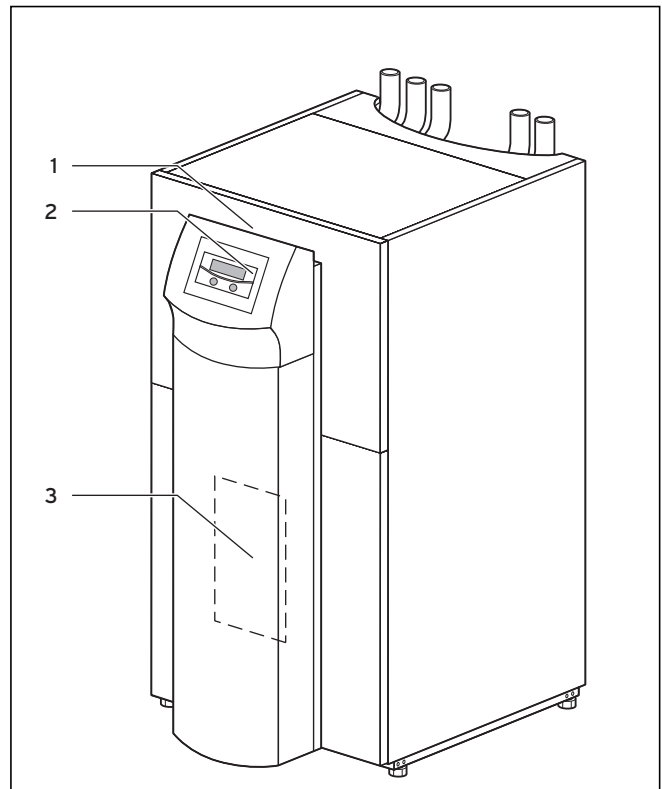


Fig. 2.4 Front view

Key to Fig. 2.4

- 1 Label with heat pump type designation
- 2 Operating panel
- 3 vrnetDIALOG mounting plate (behind the pillar cladding)

2 Description of the appliance

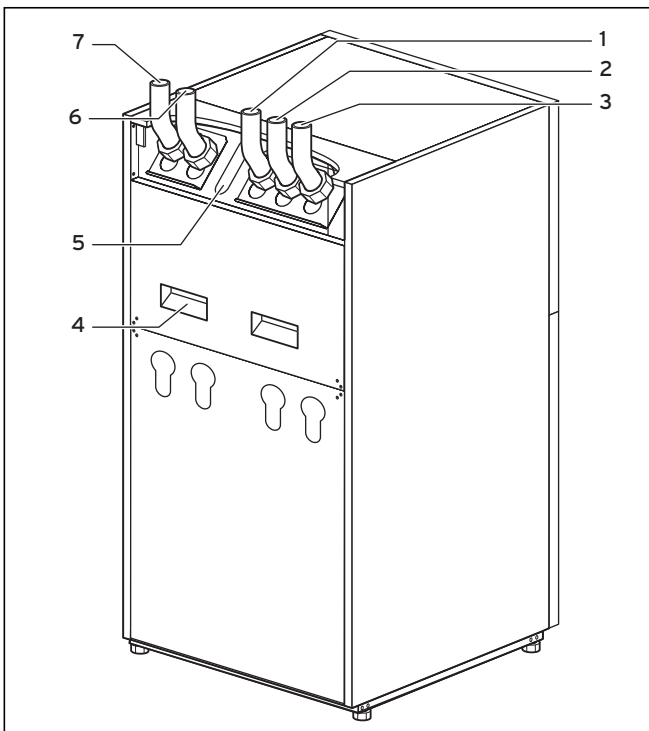


Fig. 2.5 Rear view

Key to Fig. 2.5

- 1 Return to domestic hot water cylinder
- 2 Heat source to the heat pump
- 3 Heat source from the heat pump
- 4 Transportation handles
- 5 Cable feedthrough for electrical connections
- 6 Heating return
- 7 Heating feed

Assemblies

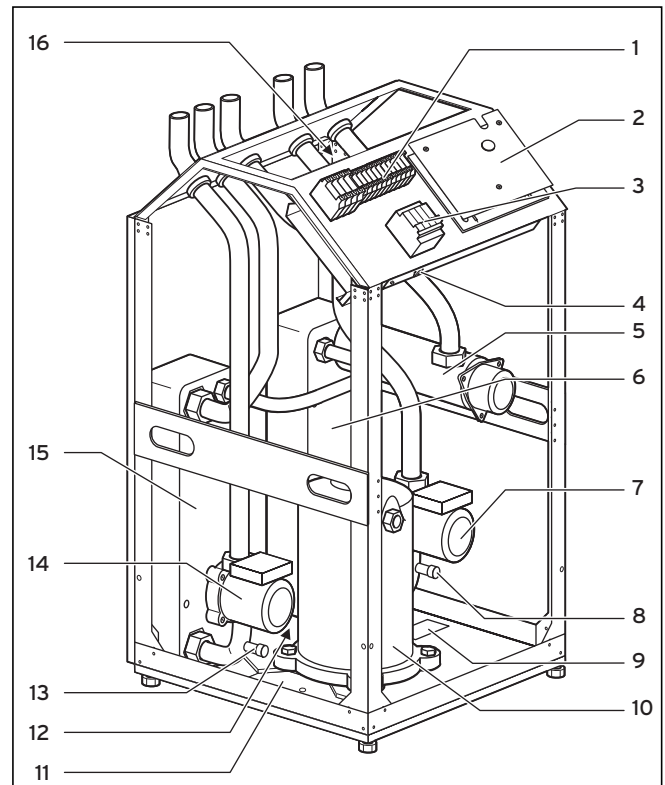


Fig. 2.6 Front view, covers removed

Key to Fig. 2.6

- 1 Electrical connections
- 2 Controller PCB (under cover plate)
- 3 Contactor for electric auxiliary heating
- 4 Safety thermostat STL for the auxiliary heating
- 5 Electric auxiliary heating
- 6 Condenser
- 7 CH pump
- 8 Fill/drain valve for heating circuit
- 9 Data badge
- 10 Compressor
- 11 Condensate pan
- 12 Expansion Valve
- 13 Fill/drain valve for brine circuit
- 14 Brine pump
- 15 Evaporator
- 16 3-way valve

2.4 General notes on operating modes and functions

There are five operating modes available for the heating circuit and these can be used for time and temperature control of the heat pump (see Chap. 8 "Control system").

Three additional operating modes are available for the connected domestic hot water cylinder and circulation circuit.

During start-up, you will tell the heat pump which of the connection configurations listed in the appendix corresponds to your installation by entering the number of the corresponding hydraulic plan into the controller. Thus all the operating parameters will be set to predetermined values, so that the heat pump can work optimally. However, you can individually set and adapt the operating modes and functions afterwards.

You will find all the information on operating modes, auxiliary and special functions in Chapter 8, "Control system".

The heat pump is equipped with numerous **automatic auxiliary functions** to ensure trouble-free operation (see also Chap. 8.2 "Automatic auxiliary functions"):

- **Frost protection**
Prevents the heating system from freezing
- **Tank frost protection**
Prevents the connected tanks from freezing
- **Checking the external sensors**
Checking the connected sensors during initial commissioning using the basic hydraulic circuit that was entered previously
- **Protection against loss of heating water**
Shuts down when there is a loss of heating water and switches on again when there is sufficient water pressure
- **Protection against loss of brine**
Shuts down if the brine pressure is too low and switches on again when the pressure is sufficient
- **Floor protection circuit**
Overheating protection for the floor (important for wooden floors)
- **Pump blocking protection**
Prevents seizing of pumps in the system
- **Freeze protection function**
Shuts down the compressor if the temperature of the heat source falls below a predetermined value

Additionally, there are further **settable auxiliary functions** available (see also Chap. 8.3 "Settable auxiliary functions"):

- **Timer programmes**
To set the heating times for each heating circuit
- **Holiday programming**
Programming of two holiday periods with date entry and set-back temperature
- **Party function**
Carries the heating and hot water times forward to the next shut-off point
- **Energy saving function**
Lowers the flow setpoint temperature for a presettable period
- **Screed floor drying**
For drying out screed floors
- **Fixed value controlling**
Sets a fixed flow temperature
- **Anti-legionella function**
Kills germs in the tank and in the pipes
- **Quick test**
Test function for maintenance
- **Remote maintenance**
Diagnostics and setting via vrDIALOG or vrnetDIALOG

3 Safety instructions and regulations

3 Safety instructions and regulations

3.1 Safety instructions

The heat pump must be installed by an approved technician, who will be responsible for adhering to the existing standards and regulations. We accept no liability for any damage caused by failure to observe these instructions. When full, the heat pump weighs roughly 140 -195 kg. Take this into consideration when transporting and setting up the unit. Pay particular attention to Chap. 4.2, "Requirements of the installation site", before assembly.



Danger!
The coolant circuit is pressurised. Furthermore, high temperatures can arise. The appliance may only be opened and serviced by Vaillant factory customer service or by a qualified specialist technician. Work on the coolant circuit may only be carried out by a qualified refrigeration engineer.



Danger!
Risk of electric shock!
Always switch off all power supplies before carrying out electrical installation work. Make sure that they are secured against inadvertent switching on again.



Caution!
Risk of damage!
Do not add any antifreeze or corrosion protection agents to the heating water, as seals and other components can be damaged as a result and this can lead to water leaks.

If the heating water hardness is more than 3.0 mmol/l (21.05 °e) it should be softened. You can use the Vaillant ion exchanger (Art. No. 990 349) for this purpose. Observe the enclosed instructions for use.

3.2 Regulations, rules, guidelines

Pay particular attention to the local specifications, provisions, regulations and guidelines on/by the following when setting up, installing and operating the heat pump:

- electrical connection
- supply system operator
- water distribution company
- geothermal energy utilisation
- integration of heat sources and heating installations
- energy conservation
- hygiene

3.3 Coolants

The heat pump is delivered with an operational filling of R 407 C coolant. This is a chlorine-free coolant which does not affect the Earth's ozone layer. R 407 C is neither a fire hazard nor an explosion risk.

However, maintenance work and interventions into the coolant circuit may only be undertaken by an expert technician with appropriate protective equipment.



Danger!

R 407 C coolant!

Do not inhale gases or vapours emanating from leaks in the coolant circuit.

Risk to health! Avoid contact with the skin and eyes. Escaping coolant can cause frostbite if the exit point is touched! R 407 C coolant presents no danger in normal use and under normal conditions. With improper use, however, it can cause injury and damage.



Caution!

This appliance contains R 407 C coolant. The coolant must not be allowed to escape into the atmosphere. R 407 C is a fluorinated greenhouse gas covered by the Kyoto Protocol, with a GWP of 1653 (GWP = Global Warming Potential).

Before the appliance is disposed of, the coolant it contains must be completely drained into a suitable vessel so that it can then be recycled or disposed of in accordance with the regulations.

The relevant work in connection with the coolant may only be carried out by officially certified specialists.

Coolant (see identification plate for quantity) may only be drained off and fresh coolant may only be added via the service valves. All warranties become void if any approved replacement coolant other than the R 407 C recommended by Vaillant is used.

4 Assembly and installation

4 Assembly and installation

4.1 Accessories

You can fit the following accessories to expand the heat pump system. You can find more detailed information on the installation of accessories in Chap. 5.8.

Mixer module VR 60

With the mixer module, you can expand the control system of the heating installation by two mixer circuits. You can connect a maximum of six mixer modules.

VR 90 remote control unit

You can connect a separate remote control unit for the first six heating circuits (HC 1 - HC 6).

VR 10 standard sensor

Additional sensors may be required, e.g. as flow, return, collector or cylinder sensors, depending on the configuration of the system.

vrDIALOG 810/2

vrDialog is a communications unit with software and connecting cable which enables you to carry out diagnosis, monitoring and parametrisation of the heat pump from a computer.

vrnetDIALOG 840/2, 860/2

The vrnetDIALOG communications unit enables you to carry out remote diagnosis, monitoring and parameter setting on the heat pump from a computer over a telephone connection or via an integrated GSM modem.

VPS heating water buffer cylinder

The VPS buffer cylinder provides an intermediate storage facility for heating water and can be installed between the heat pump and heating circuit. It provides the necessary energy to bridge over the power company blocking periods.

Other accessories

- Heat transfer fluid
- Filling pump
- Safety assembly and tundish
- Expansion vessel for the heating circuit

4.2 Requirements of the installation site

- Choose a dry room that is generally frost-proof.
- The floor must be level and sufficiently stable to be able to bear the weight of the heat pump, together with a DHW and possibly a buffer tank.
- It must be possible to install suitable pipe conduits (for heat source, DHW and heating).
- When choosing the installation site, bear in mind that when operating, the heat pump can transmit vibrations to the floor or nearby walls.
- In accordance with DIN EN 378 T1, the minimum installation space for heat pumps, (V_{\min}), is calculated as follows:
 $V_{\min} = G/c$
 G = coolant fill quantity in kg
 c = practical limit in kg/m^3
($c = 0.31 \text{ kg}/\text{m}^3$ applies for R 407C).
This yields the following minimum installation space:

Heat pump type	Coolant fill quantity [kg]	Minimum installation space
VWS 61/2 230 V	1.9	6.1
VWS 81/2 230 V	2.2	7.1
VWS 101/2 230 V	2.05	6.6

Table 4.1 Minimum installation space

4.3 Dimensions and clearances

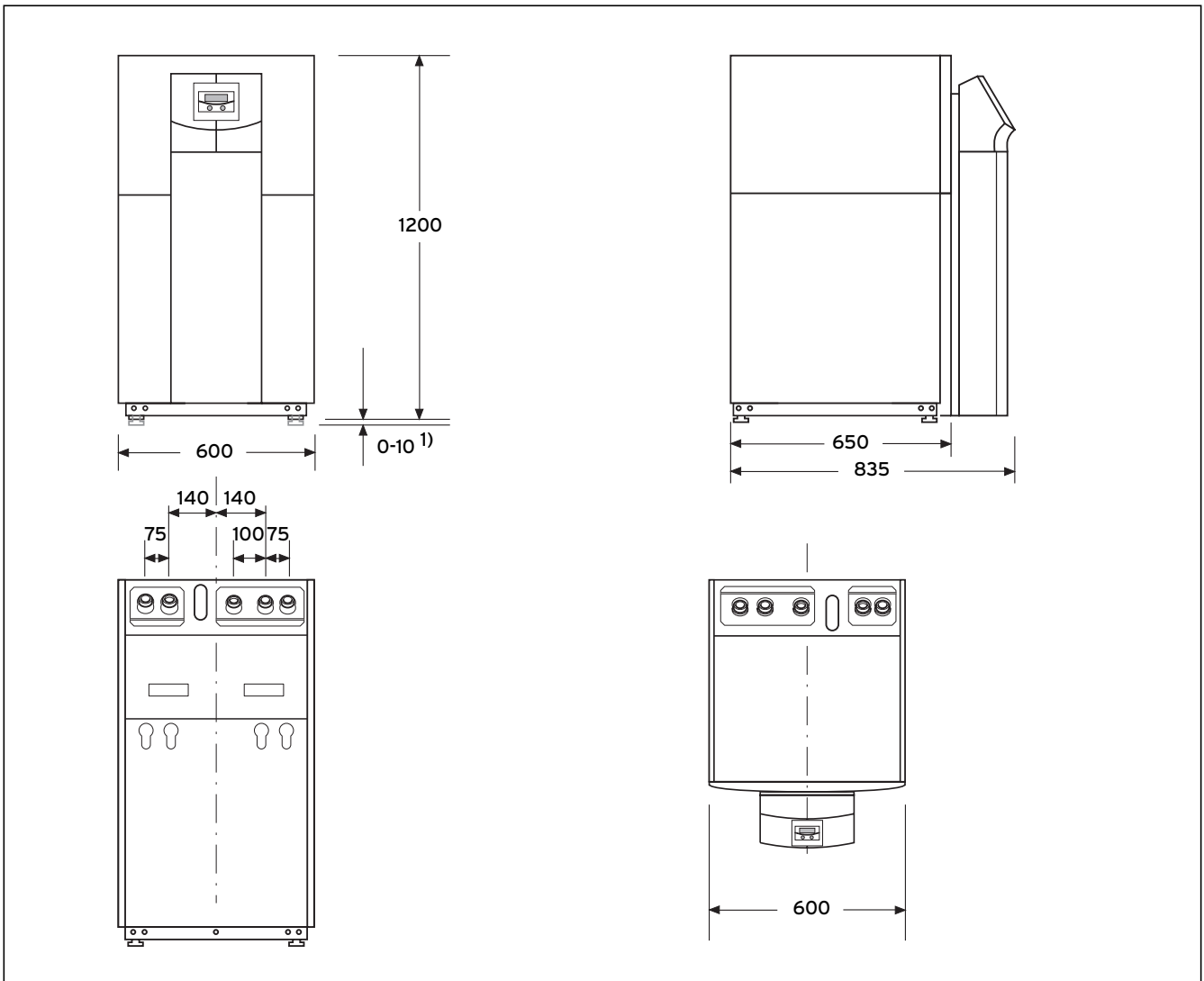


Fig. 4.1 Dimensions and clearances

¹⁾ Adjustable feet adjustable in height by 10 mm

4 Assembly and installation

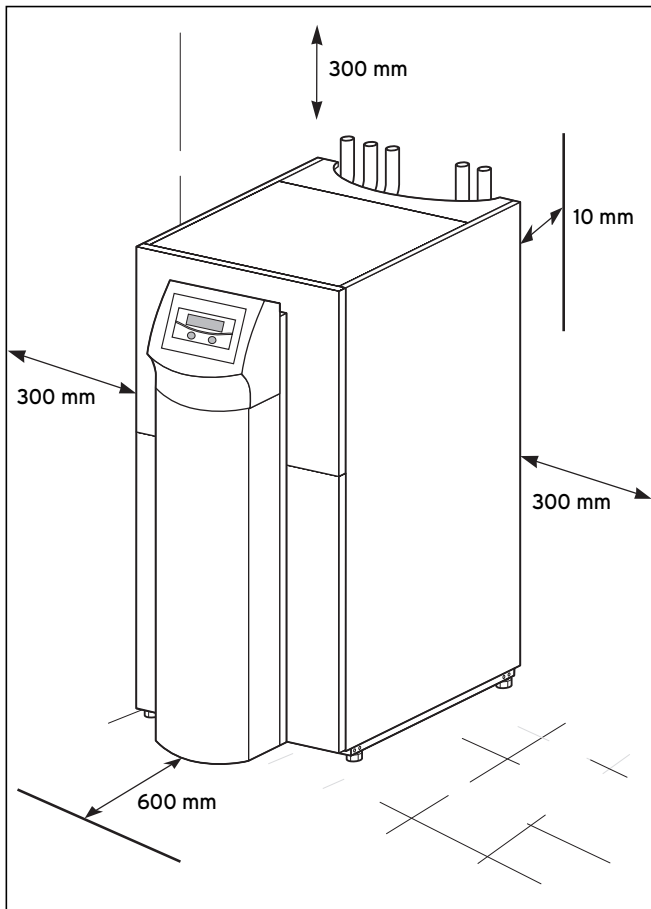


Fig. 4.2 Minimum clearances for installing the heat pump

4.4 Assembly/Installation at a glance

- Remove packing material.
- Remove transportation safety devices.
- Transport the heat pump to the installation area.
- Position and align the heat pump in the intended assembly location.
- Remove the upper cladding.
- Remove the front cladding.
- Connect the on-site piping.
- Carry out the electrical installation.
- Fill the heating circuit.
- Fill the heat source circuit.
- Fit the cladding.
- Fit the operating console.
- Carry out the initial commissioning.
- Fill out the start-up checklist.
- Hand over system to the user and familiarise him with it.

4.5 Preparatory work in the installation area

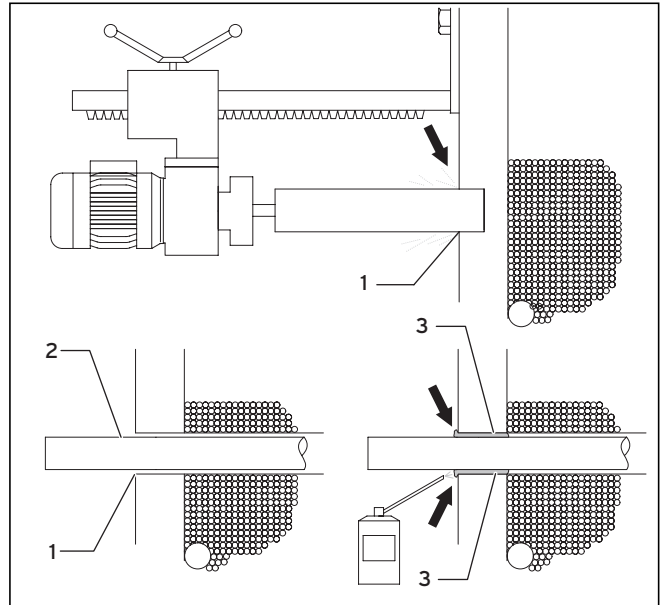


Fig. 4.3 Preparatory work in the installation area

- Make sure that the substrate is sufficiently stable (see Chap. 4.2 "Requirements for the installation site").
- Drill at least two bore holes, bearing in mind the dimensions of the unit and its connections (1).
- A separate bore hole is required for each heat source pipe.
- Special pipe lead-throughs must be used if there is a risk of ground water penetration (follow the manufacturer's details).
- Take account of the distances to the core barrels for the rest of the installation.
- Pass the heat source pipes (2) from the outside into the installation area.
- Lay the heat source pipes (2) centrally in the bore holes (1) to facilitate all-round thermal insulation.
- Seal the annular gap (1) as shown with foam insulation (e.g. PE foam) (3).
- Install diffusion-tight insulation pipes from heat sources in cellar areas, as condensation will otherwise form (pipe temperature may be as low as -15 °C).

4.6 Requirements of the heating circuit

The heat pump is only suitable for connection to a closed central heating installation. To ensure trouble-free operation, the central heating installation must have been installed by authorised technical personnel in compliance with the applicable regulations.

A heat pump is suited to low temperature heating systems. The system must therefore be designed for low flow temperatures (ideally around 30 to 35 °C). Furthermore, it must be ensured that power company outages are bridged over.

EN 12828 requires the following the heating system installation:

- a filling valve, in order to fill the heating system with water or be able to drain the water,
- a diaphragm expansion vessel in the return line of the heating circuit,
- an overpressure safety valve (opening pressure 3 bar) with pressure gauge (safety group) in the flow line of the heating circuit, immediately after the appliance,
- an air/dirt separator in the return line of the heating circuit.

To avoid energy losses and protect against freezing, thermal insulation must be installed on all supply lines. The lines must be dirt free - so flush these through thoroughly before filling, if necessary.



Caution!
Risk of damage!
Do not add any antifreeze or corrosion protection agents to the heating water, as seals and other components can be damaged as a result and this can lead to water leaks.

In hydraulic installations that are predominantly equipped with thermostatically or electrically controlled valves, it is necessary to ensure a constant, adequate flow through the heat pump. Regardless of the choice of heating system, the nominal flow rate of heating water must be ensured. This is guaranteed by using a professionally installed buffer cylinder.

4.7 Scope of delivery

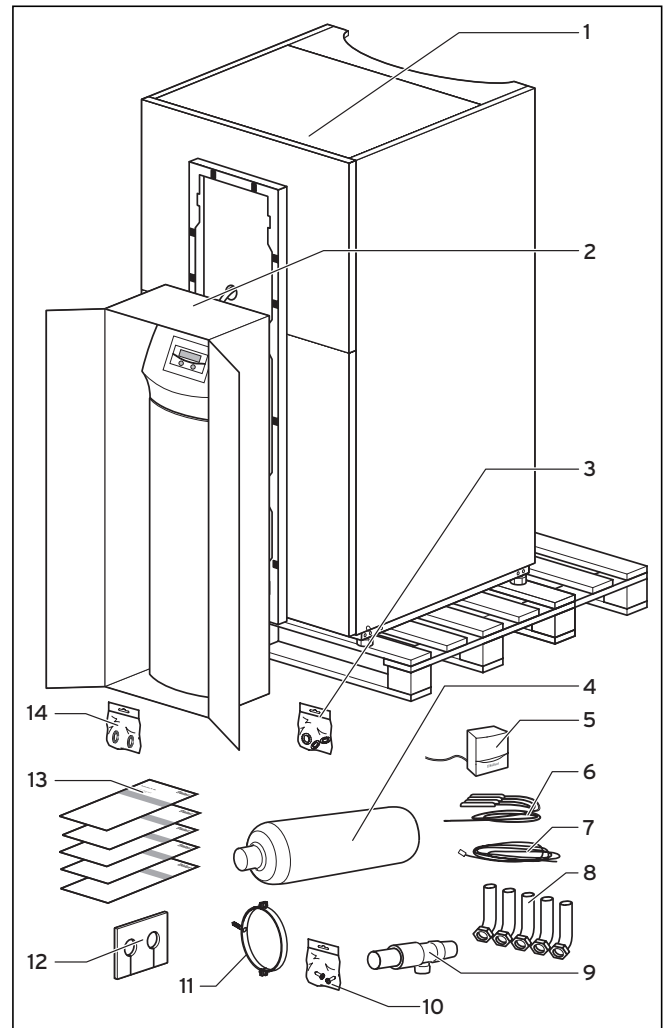


Fig. 4.4 Checking the supplied material

For key, see Table 4.2.

The heat pump is delivered on a pallet in two packing units.

- Check the heat pump and the separately packaged operating console for any transport damage.

4 Assembly and installation

Pos.		Description
1	1	Heat pump
2	1	Operating console, pillar cover
3	3	Gaskets (yellow/green) for heating circuit elbow unions
	2	M6 flat-headed screws for fitting the operating console to the frame (plus one spare screw)
	3	Self-tapping screws for the operating console frame (incl. one spare screw)
	2	Self-tapping screws for fastening the vrnetDIALOG unit
4	1	6 Litre brine expansion tank incl. brass adapter, max. 3 bar
5	1	VRC-DCF outside temperature sensor
6	4	VR 10 sensors
7	1	Control cable for vrnetDIALOG
8	5	45° connection elbow with cap nuts
9	1	Expansion relief valve for brine circuit, 1/2", 3 bar
10	1	Bag of small parts for fastening the brine expansion tank
11	1	Clamp for fastening the brine expansion tank
12	1	Insulation matting for heat source connection on the rear wall
13	5	Installation instructions, operating manual
14	2	Seals with metal support rings for heat source circuit connection elbows

Table 4.2 Scope of delivery

The frame for the operating console is already fastened to the heat pump casing on delivery.

4.8 Unpacking the unit and checking the delivery

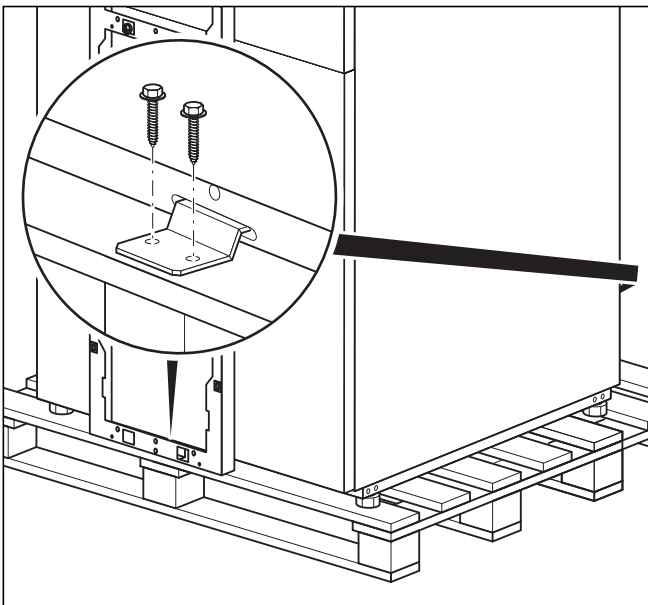


Fig. 4.5 Removing the transport securing device

- Carefully remove the packaging and padding, taking care not to damage any parts of the unit.
- Unfasten the transport securing devices (brackets) with which the heat pump is fixed to the pallet. The brackets are no longer required.

4.9 Transporting the heat pump

We recommend that the heat pump be transported with the aid of a suitable barrow. The handles on the rear side of the unit are provided as transportation aids (see Fig. 2.5, Item. 4).



Danger!

Risk of injury!

Depending on type, the heat pump weighs 140 - 195 kg in the unfilled state. To avoid injury, use several people to lift it.



Caution!

Risk of damage!

Regardless of the mode of transport, the heat pump must never be tilted by more than 45°. Otherwise it can cause malfunctions in the coolant circuit during later operation, which in the worst case can lead to a failure of the whole system.

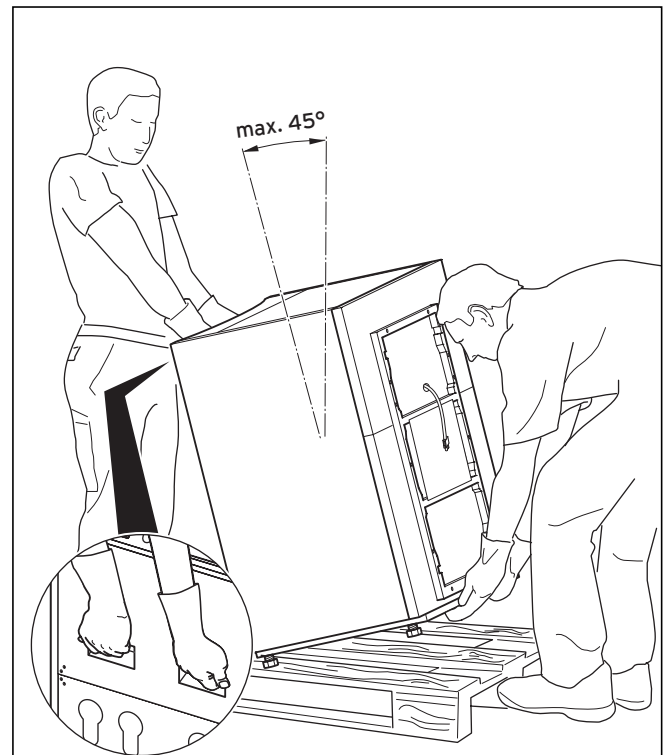


Fig. 4.6 Transporting the heat pump (carrying)

We recommend that the heat pump be transported with the aid of a suitable barrow.

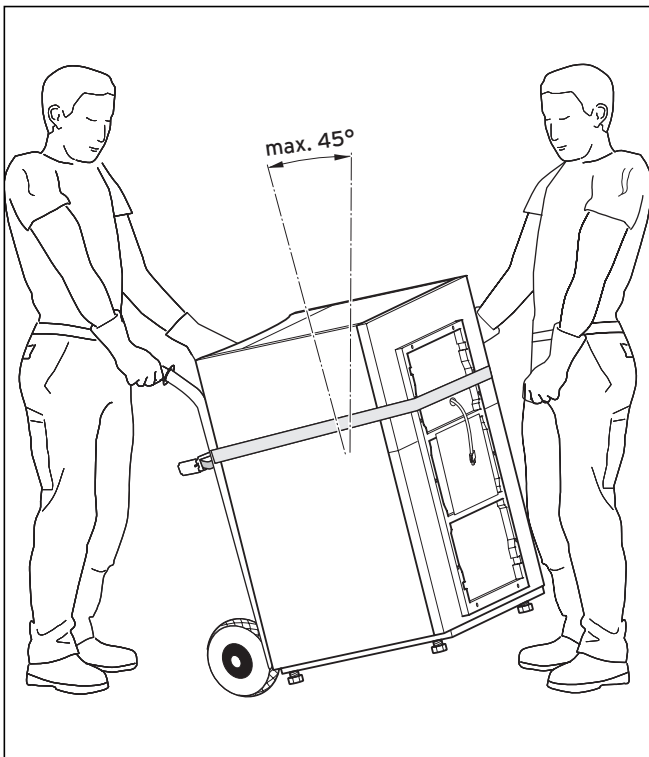


Fig. 4.7 Transporting the heat pump (pushcart)

4.10 Installing the heat pump

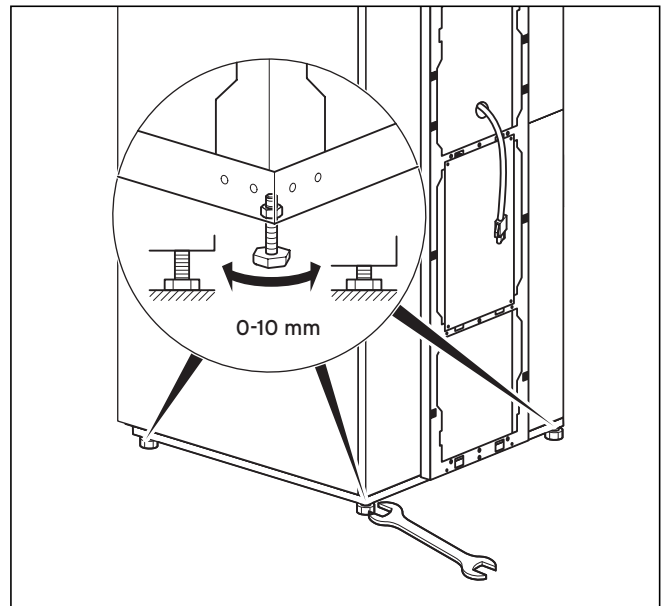


Fig. 4.8 Adjusting the feet

- Pay attention to the minimum wall clearances when installing the heat pump (see Fig. 4.2).
- Align the heat pump horizontally by adjusting the feet.



Caution!
Risk of damage!
 Find out the weight of your heat pump from the Technical Data and make sure that the transport equipment you select is appropriately designed.

When using a barrow, take note:

- Only use the barrow on the **rear** side of the heat pump, as the weight distribution is then the most favourable.
- Fasten the heat pump with a restraining strap.
- Use a ramp when pushing the barrow from the pallet, e.g. a batten and a sturdy board.

4 Assembly and installation

4.11 Removing the cladding

The cladding panels are screwed on and additionally provided with retaining clips.

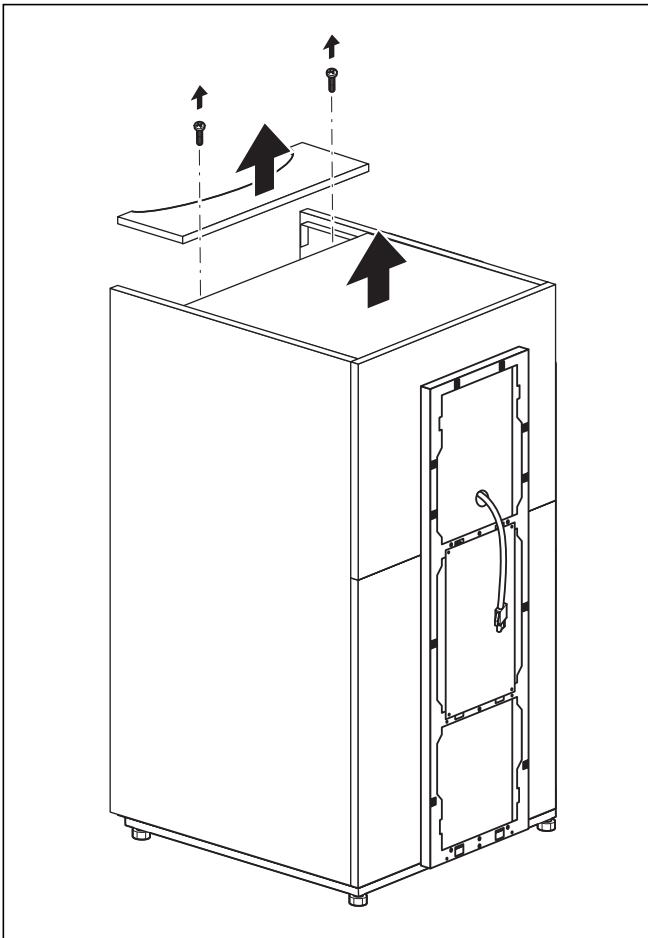


Fig. 4.9 Removing the upper cover

- Remove the pipe access cover, which is fastened with retaining clips, by pulling it gently upwards.
- Unfasten the screws for the upper cover which are concealed beneath it.
- Remove the upper cover in an upwards direction.

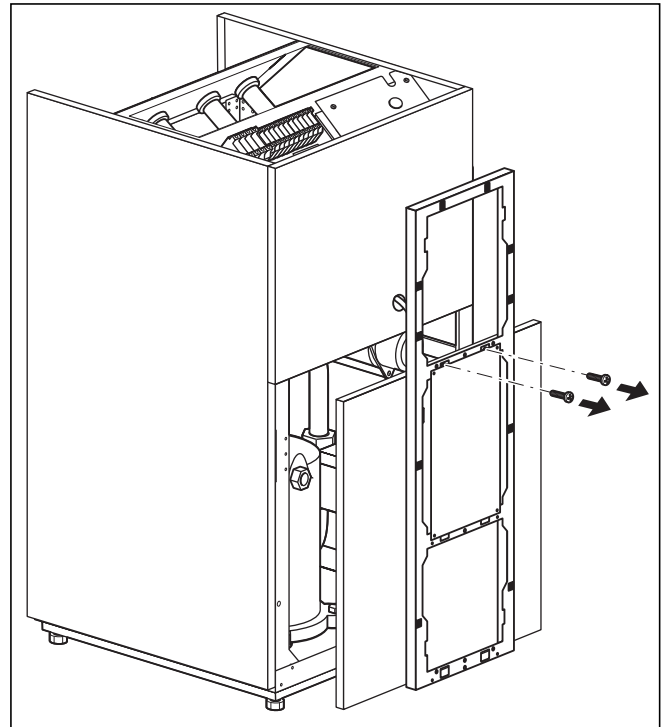


Fig. 4.10 Removing the front lower cladding

- Unfasten the two screws on the console frame and pull it, together with the front lower cladding, away from the casing.

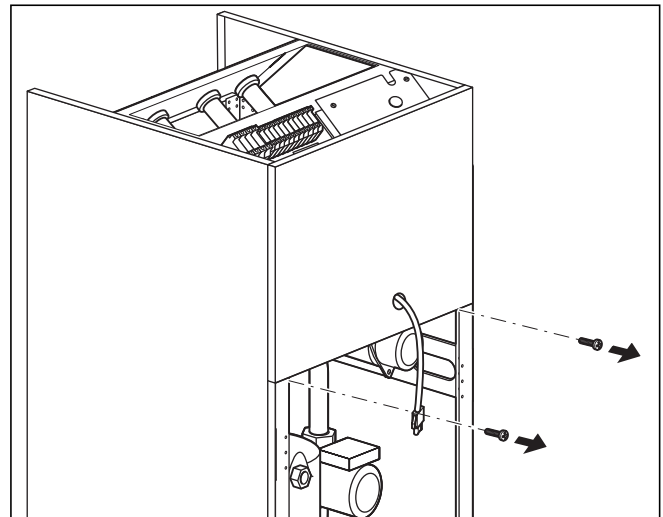


Fig. 4.11 Removing the front upper cladding

- Unfasten the two screws on the front of the front upper cladding and remove the cladding.

4.12 On-site installation



Caution!
Flush the heating system thoroughly before connecting the appliance!
By doing that, residue such as welds, cinder, hemp, putty, rust, rough dust and similar substances are removed from the pipes. Otherwise such substances can be deposited in the appliance and cause damage.



Caution!
To prevent leaks, take care that no mechanical stresses are created on the connection lines!

- The pipework installation must be carried out in accordance with the dimensional and connection drawings in Fig. 4.1.
- The installation must be performed by a specialist fitter.
- The applicable regulations must be observed during the installation.



Note!
Air in the heating system leads to impaired operation and reduces the heating output. Fit bleed valves as required.

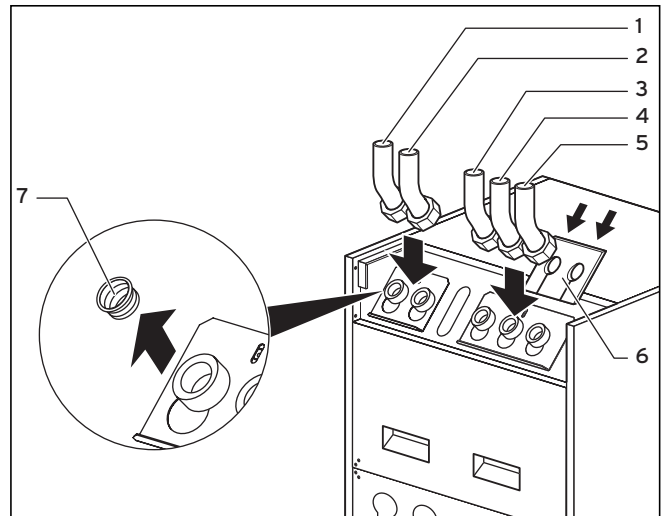


Fig. 4.12 Fitting the connection elbows

Key to Fig. 4.12

- 1 Heating feed
- 2 Heating return
- 3 Return to domestic hot water cylinder
- 4 Heat source to the heat pump
- 5 Heat source from the heat pump
- 6 Insulating pad
- 7 Blanking plugs



Caution!
To avoid leaks, take care that the correct seals are used on the connecting elbows!
Leaks can result if the seals with the metal support ring are not used in the heat source circuit!

- Remove the blanking plugs from the appliance connections (7). They are no longer needed and can be disposed of.
- Fit the three connecting elbows (1 to 3) with the yellow/green gaskets supplied with the accessories.
- Fit the two connecting elbows (4 and 5) with the seals with the metal support ring supplied with the accessories.
- The accessory kit contains an insulating pad for insulating the connection plate. Fit this insulating pad to the two right hand screwed connections (6).

4 Assembly and installation

4.12.1 Assembly of the heating system



Caution!
Risk of damage!
 In order to be able to clear any possible overpressure, the heat pump must be connected to an expansion vessel and an expansion relief valve, at least DN 20 with a maximum opening pressure of 3 bar (not supplied).



Danger!
Risk of scalding!
 The blow-off line on the expansion relief valve must be the size of the valve's outlet aperture and be installed in a frost-free environment. It must remain constantly open. It must be fitted in such a way that persons are not endangered by hot water or steam when it blows off.
 We recommend the installation of a Vaillant safety group and a tundish.

- Fit the heating flow and return lines with all components.
- Insulate all the pipes.

4.12.2 Assembly, brine circuit

- Install the heat source pipes and all their associated components.

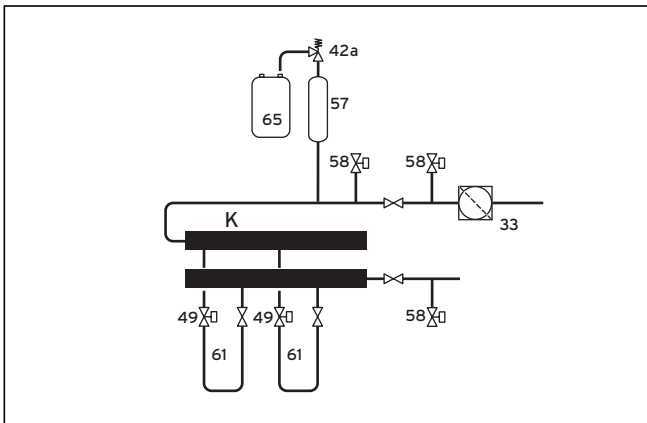


Fig. 4.13 VWS heat source circuit

Key to Fig. 4.13

33	Air separator/Dirt filter
42a	Expansion relief valve
49	Flow rate adjuster
57	Brine expansion tank
58	Filling and drainage tap
61	Brine circuit
65	Brine collecting tank
K	Collector

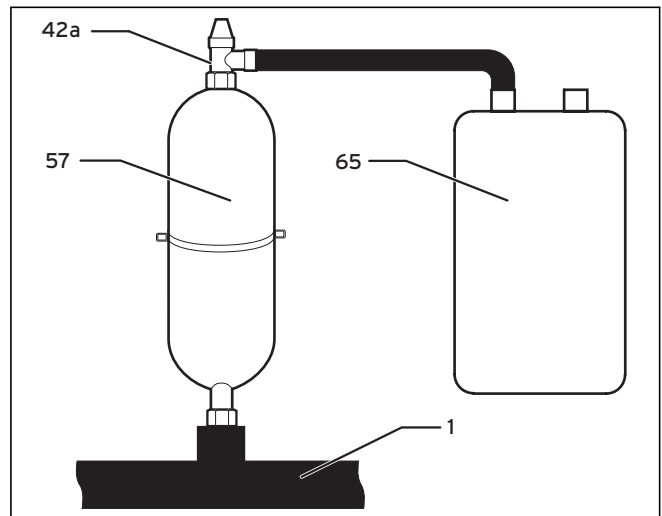


Fig. 4.14 Fitting the brine expansion tank



Note!
 The brine expansion tank has a capacity of approx. 6 litres and is thus adequate for brine circuits up to a maximum of 1900 litres.



Caution!
Material damage resulting from escaping brine!
 The screw couplings on the brine expansion tank must be sealed with hemp. Sealing with, e.g., teflon tape can lead to leaks in the brine circuit.

- Fit the bracket for the brine expansion tank to the wall using the wall plug and the screw.
- Unfasten the pre-assembled connection pieces from the brine expansion tank (57).
- Wind hemp into the outer threads of the connection pieces.
- Fit the first connection piece to the 3bar expansion relief valve (42a) enclosed with the heat pump.
- Using the second connection piece, fit the brine expansion tank (57) from the accessory kit to the pipe (1) running from the heat source to the heat pump.
- Fix the brine expansion tank with the bracket.
- Fit the connection piece with the expansion relief valve to the brine expansion tank.
- Fit the brine collecting tank (65) to the expansion relief valve (42a) at zero pressure. The brine collecting tank must not be completely closed, as otherwise the functioning of the expansion relief valve is not guaranteed.
- Provide all the pipes with vapour-proof thermal insulation. The accessory kit contains the insulating mat provided for the thermal insulation of the connection plate.

4.13 Fitting the VRC DCF outside temperature sensor

Fit the sensor in accordance with the enclosed installation manual.

4.14 Fitting the VR 90 remote control unit

If you install several heating circuits, you can connect a separate VR 90 remote control unit for each of the first six circuits. It allows the operating mode and target room temperature to be set, and takes into account the actual room temperature measured by the built-in room sensor, if necessary.

It is also possible to adjust the parameters for the associated heating circuit (timer programme, heating curve etc.) and to select the special functions (party, etc.). In addition, it is possible to query the heating circuit and to display service and fault messages.

For assembly of the VR 90 remote control unit, see its enclosed installation instructions. Regarding installation see Chapter 6.8.1.

4.15 Installing the VR 60 mixer module

With the mixer module, you can expand the control system of the heating installation by two mixer circuits.

You can connect a maximum of six mixer modules. A unique bus address is set on the mixer module by means of a rotary switch. The setting of the heating programme and all the required parameters is carried out from the operating console. All heating circuit connections (sensors and pumps) are made directly on the mixer module using a ProE plug.

For assembly of the VR 60 mixer module, see its enclosed installation instructions. Regarding installation see Chapter 6.8.2.

5 Filling the heating and heat source systems

The heating circuit and the brine circuit must be filled before the heat pump can be put into operation.



Note!

The heat pump cladding sections are only fitted after the filling and subsequent bleeding of the heating circuit.

5.1 Filling the heating circuit



Caution!

Malfunction!

Fill the heating circuit via the integrated filling and draining valve, so that the heating circuit is completely bled.

If there is a DHW cylinder connected, make sure that the 3-way valve is in the centre position.

- If there is a DHW cylinder connected, set the 3-way valve (see Fig. 2.6, Item **16**) to the centre position.
- Open all the thermostatic valves in the heating system.
- Connect a filling hose to a water tap.
- Attach the free end of the filling hose to the filling valve (see Fig. 2.6, Item **8**).
- Open the filling valve.
- Turn the water tap on slowly and fill with water until the pressure gauge indicates a system pressure of approx. 1.5 bar.
- Close the filling valve and detach the hose.
- Bleed the system again at the points provided.
- Re-check the water pressure in the system (repeat the filling process if necessary).

5.2 Filling the brine circuit

The brine fluid consists of water mixed with a heat transfer fluid concentrate. As an additive we recommend propylene glycol (alternative: ethylene glycol) with corrosion-inhibiting additives. A DN 40 collector hose has a capacity of approx. 1 litre per continuous metre.

The brine fluids that may be used differ greatly from region to region. Please find out about this from the authorities responsible.

Only the following brine media are authorised by Vailant for operation of the heat pump:

- max. 30 % ethylene glycol/water
- max. 33 % propylene glycol/water
- potassium carbonate/water
- max. 60 % ethanol/water

5 Filling the heating and heat source systems



Caution!
Environmental hazard!
Leakage of brine media must not result in any contamination of the ground water or the soil. Substances must be selected that are non-toxic and biologically degradable.

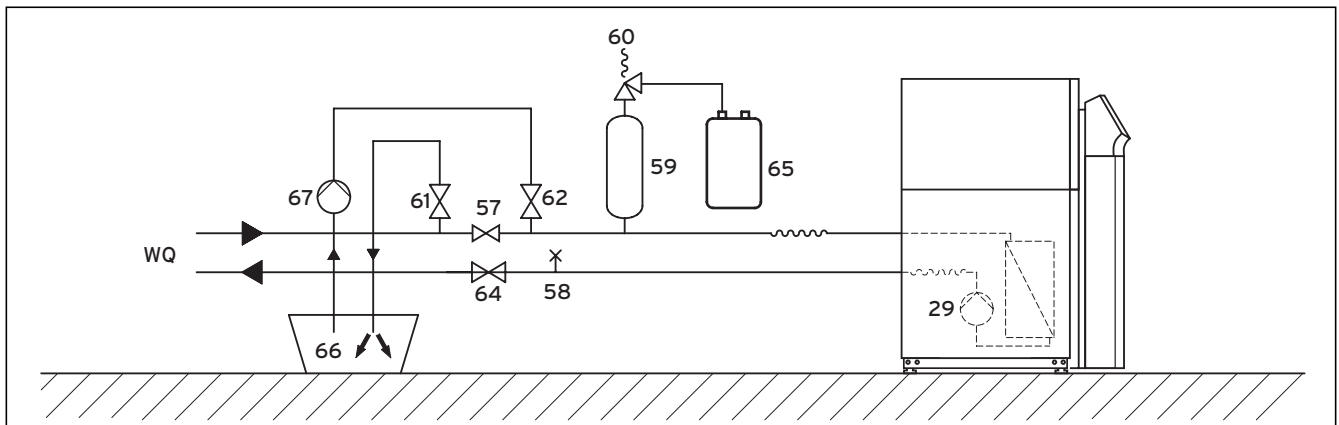


Fig. 5.1 Brine circuit

Key to Fig. 5.1

29	Brine pump
57	Stop valve
58	Bleed valve
59	Brine expansion tank
60	Expansion relief valve
61	Stop valve
62	Stop valve
64	Stop valve
65	Brine collecting tank
66	Brine reservoir
67	Filling pump
WQ	Heat source circuit

- Mix the antifreeze used by Vaillant in Germany, Austria and Switzerland, 1.2 % propylene glycol, with water in the proportion 1 : 2. This offers frost protection down to -15 °C.
- Mix water and antifreeze to the specified concentration in a separate container (e.g. plastic canister, see Fig. 5.1, Item **66**). Every batch of the mixture must be carefully blended.
- Check the mixing proportions of the brine fluid. Vaillant recommends the use of a refractometer for this purpose.
- Then fill the brine mixture from the container (**66**) into the heat source system. This will require a filling pump (**67**) that simultaneously bleeds the collector circuit as it fills it. Vaillant recommends the Vaillant filling pump (Art.No. 307 093). Connect the pressure line of the pump to the stop valve (**62**) (see Fig. 5.1).
- Close stop valve (**57**).
- Open stop valves (**62**) and (**64**).

- Open stop valve (**61**) and connect a hose to it, with the other end of the hose draining into the glycol mixture.
 - Start the filling pump (**67**) in order to fill the collector hose.
 - Allow the filling pump (**67**) to run until fluid free of air emerges from the hose connected to stop valve (**61**).
 - Now open valve (**57**) so that the air between valves (**61**) and (**62**) can escape.
 - Close valve (**61**) and pressurise the brine circuit using the filling pump (**67**). Take care that the pressure does not exceed 3 bar.
 - Now close valve (**62**) as well.
 - Switch off the filling pump (**67**) and remove the filling hose.
 - Open the expansion relief valve (**60**) to allow any possible overpressure to discharge. The brine expansion tank must be 2/3 full of fluid. Make sure that valve (**61**) is closed.
 - Fill any remaining brine fluid into a suitable container (e.g. plastic canister) for topping up later and hand it over to the user for safekeeping.
- Further bleeding is carried out after the cladding sections have been fitted and the heat pump has been started (see Chap. 7.4).

Check the filling level of the brine fluid



Caution!
Risk of damage!
The filling level is correct when the brine expansion tank is 2/3 full. The installation can be damaged if the filling level is too high.

- Top up the brine fluid when the filling level has fallen so low that it is no longer visible in the expansion tank.

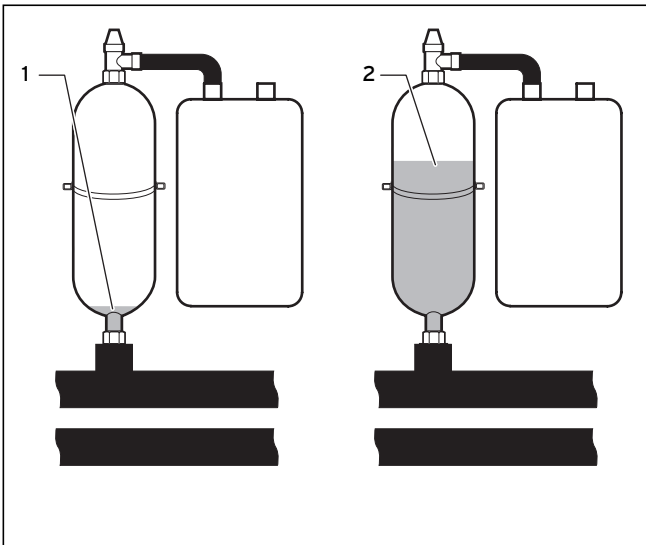


Fig. 5.2 Fill level of brine expansion tank

Key to Fig. 5.2

- 1 Filling level too low
- 2 Filling level correct

The filling level of the brine fluid can fall a little in the first month following commissioning of the system; this is quite normal. The filling level can also vary depending on the temperature of the heat source, but under no circumstances should it fall so far that it is no longer visible in the expansion tank.

6 Electrical installation

6.1 Safety and installation information



Danger!
Risk of electric shock!
Always switch off all power supplies before carrying out electrical installation work. Make sure that they are secured against inadvertent switching on again.



Danger!
Risk of electric shock!
The electrical connection must be equipped with a customer-supplied isolation device having a contact separation of at least 3 mm on all lines (e.g. a line protection switch).

It makes sense to fit this isolation device in the immediate vicinity of the heat pump.



Caution!
Risk of damage!
The electrical installation may only be undertaken by an authorised engineer.



Caution!
Risk of short circuits!
When connecting 230 V lines to the ProE plug, do not strip the insulation back by more than 30 mm for safety reasons.
If you strip back by more than this, there is a risk of short circuits to the PCB if the lines are not correctly attached in the plug.



Caution!
Risk of malfunction!
The lines for the outside temperature sensor and the room thermostat carry small, weak currents. Interference from the environment can have an effect on the sensor lines and transmit incorrect information to the heat pump controller, and for this reason the sensor lines must be run absolutely correctly.
Low current lines must be run at an adequate distance from high current lines. If low and high current lines are run in parallel, a minimum distance of 25 cm applies for lengths greater than 10 m.

Furthermore, take note:

- For power, connect the heat pump to a 230 V mains supply with one **neutral and one earth conductor**. Fuse this connection as specified in the technical data.
- Install the heat pump with a fixed mains connection.
- The required conductor cross sections must be determined by a qualified technician, using the values specified in the technical data for the maximum rated output. In any case, take into account the on-site installation conditions.
- If the local power company stipulates that the heat pump should be controlled by a blocking signal, fit an appropriate contact switch, as specified by the power company, and connect it to the heat pump with a two-core cable.

6.2 Regulations pertaining to electrical installations

The maximum sensor cable length of 50 m may not be exceeded.
Where lengths are greater than 10m, route the connection cables carrying 230V separately from the sensor or bus cables.

Do not use free terminals on the appliance as support terminals for other wiring.

6.3 Electronic box

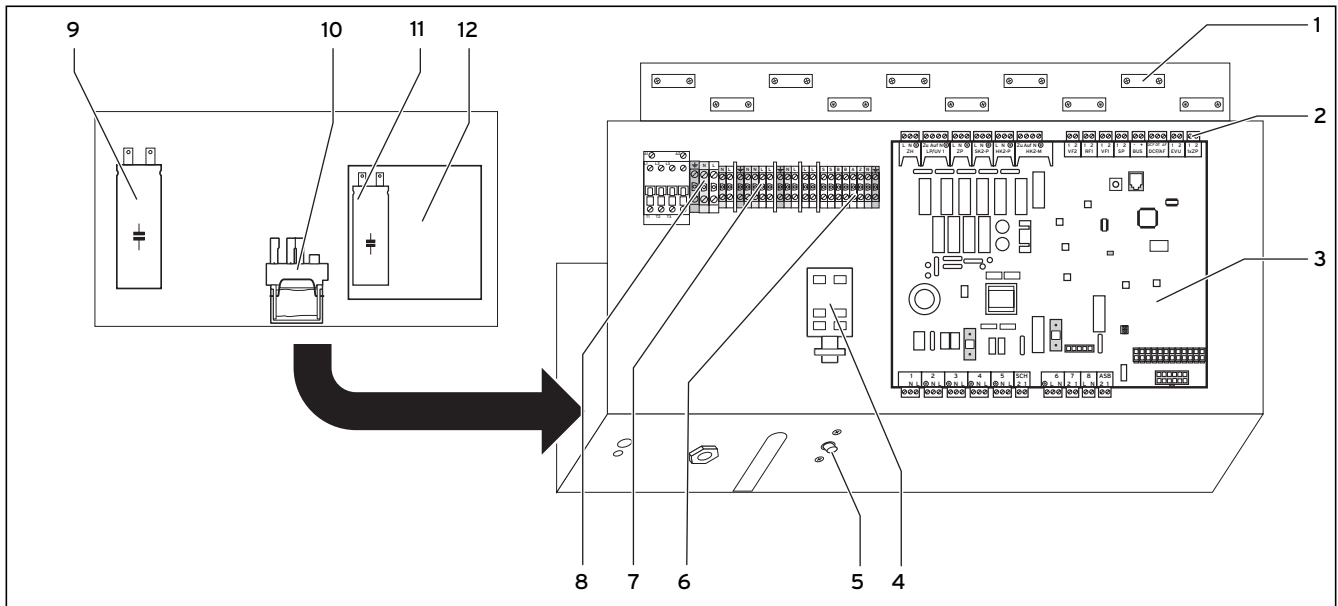


Fig. 6.1 Electronic box

Key to Fig. 6.1

Control box upper level:

- 1 Cable clamps
- 2 Terminal strip for sensors and external components
- 3 Controller PCB
- 4 Contactor for electric auxiliary heating
- 5 Reset button for the auxiliary heating safety thermostat (see Item 11)
- 6 In conjunction with a multi-cylinder: Connections for a 3-way valve, to be fitted on the customer side
- 7 Power supply for additional electric heating and control (dual-circuit supply)
- 8 Power supply for heat pump (unblocked mains supply)

Control box lower level:

- 9 Operating capacitor for the compressor
- 10 Safety thermostat (STL) for the auxiliary heating
- 11 Starting capacitor (compressor)
- 12 Starting current limiter PCB

Additionally, there are two coiled cables hanging inside the control box (not shown here):

- small two-way plug:
connecting cable for the operating console
- large three-way plug:
power supply for vrnetDIALOG

A control cable for the vrnetDIALOG is also supplied (accessories).

6.4 Connecting the power supply

Different types of power supply are provided for heat pumps by the power companies. The heat pump can be operated with various types of mains feed. Three types of connection are described on the following pages.

- Pass the power supply cable(s) through the elongated hole in the rear of the unit.
- Pass the cables through the unit, through the appropriate strain relief clamps and on to the connection terminals on the connector strip.
- Carry out the wiring of the connection as illustrated in the following wiring diagrams.



Note!

The appliance covers are fitted after completion of the installation work.

6 Electrical installation

6.4.1 Unblocked mains supply (Electroplan 1)

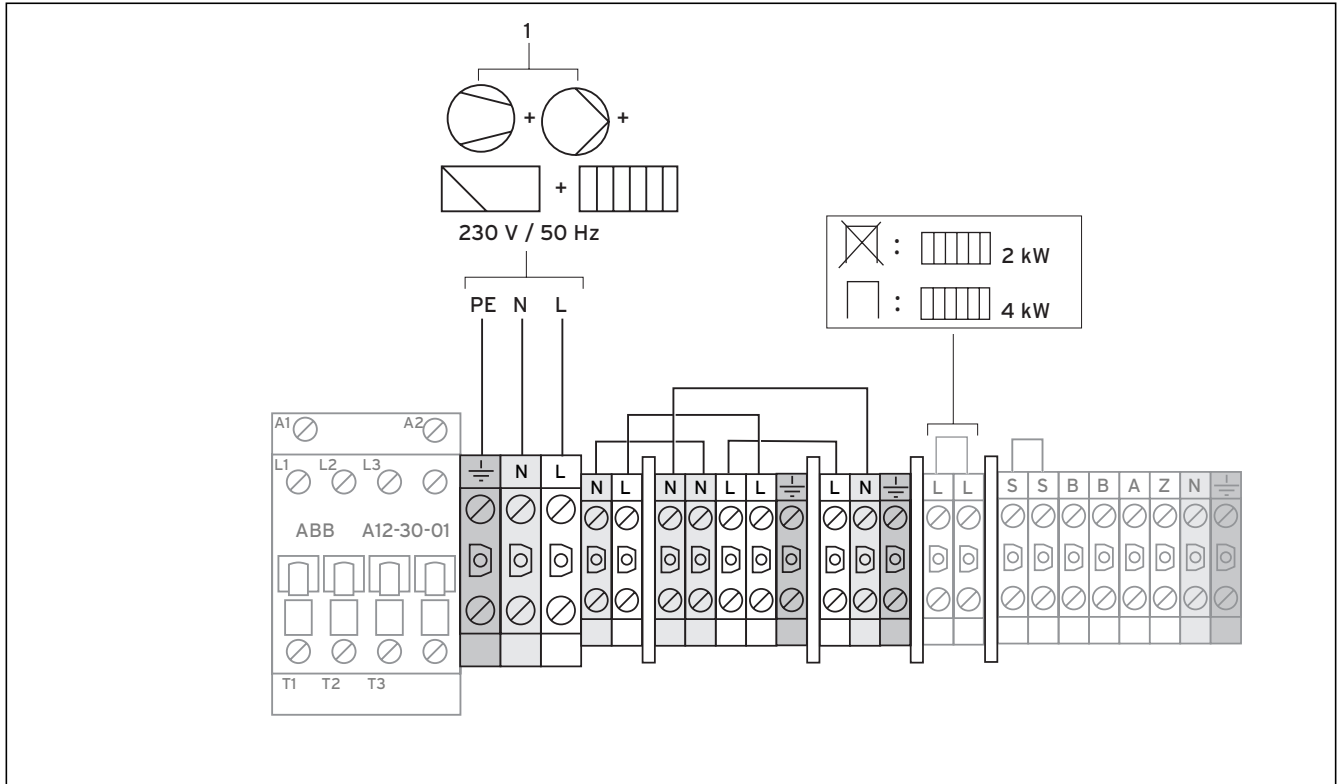


Fig. 6.2 Unblocked mains feed (supplied configuration)

This is how the heat pump is wired when delivered. The heat pump is connected to the mains on a single tariff (one consumer meter) (1). The power company reserves the right to switch off the compressor and the auxiliary heating as required by means of a ripple control signal. The duration and frequency of the deactivation is determined by, or must be arranged with, the power company.

- Connect the power supply to the principal mains feed.
- Connect the ripple control signal relay to terminal 13 "EVU", if required by the power company. This signal blocks the heat pump when the contact is closed (see Fig. 6.7).

You will find an overview of the complete wiring diagram in the appendix.

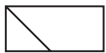
Key to Fig. 6.2



Pump



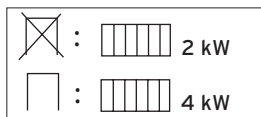
Compressor



Controller



Auxiliary heater



You can set the output of the auxiliary heating from 4 kW to 2 kW by removing the bypass line, if required.

6.4.2 Dual circuit feed, heat pump tariff (Electroplan 2)

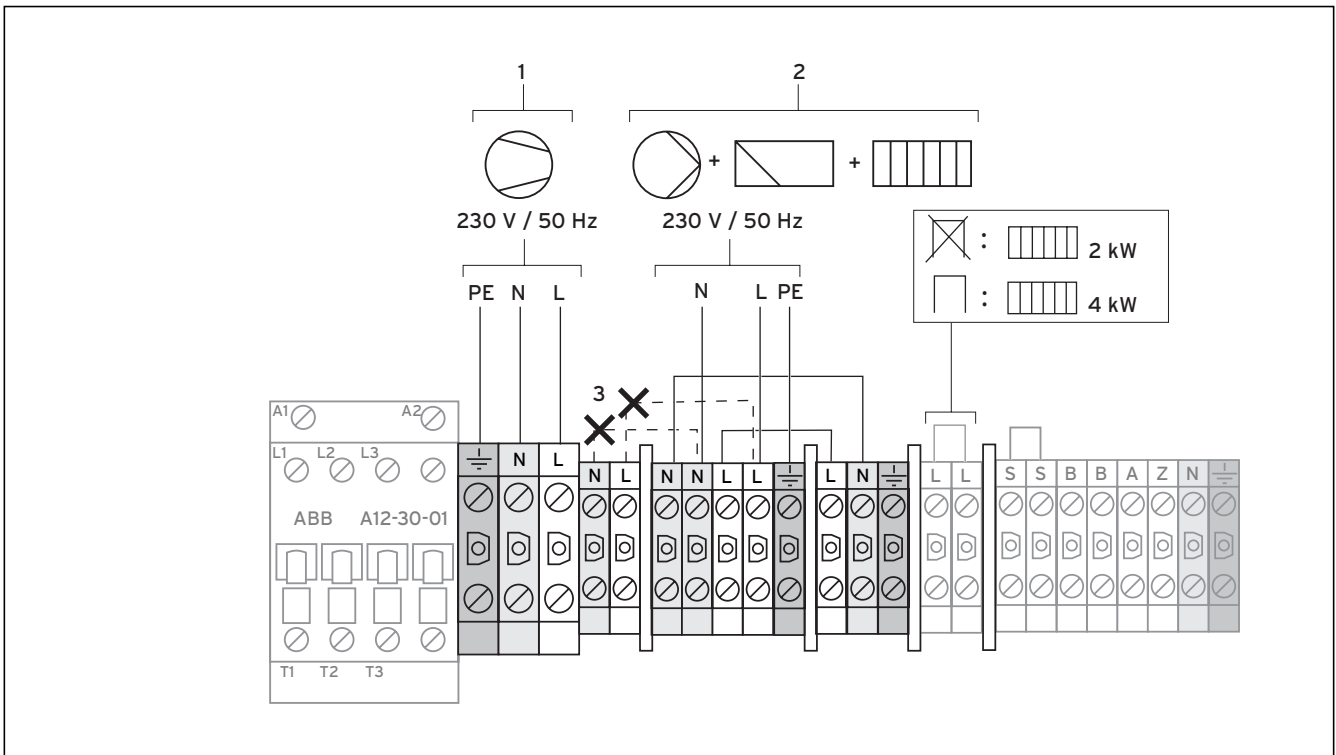
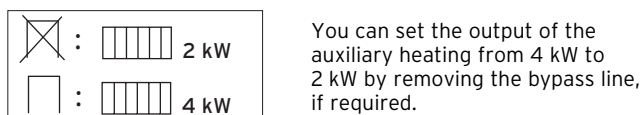
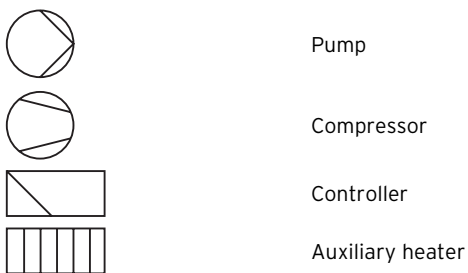


Fig. 6.3 Dual circuit feed, heat pump tariff

In this instance the heat pump is operated on two tariffs (two consumer meters). A permanent supply **(2)** for the **secondary consumers (auxiliary heating, circulation pumps, controller, etc.)** must be ensured via a meter. The **low tariff supply (1) for the compressor** is effected via a second meter and can be interrupted by the power company at peak times.

- Remove the jumpers (dashed lines, **3**).
- Connect the permanent power supply to the high tariff mains feed **(2)**.
- Connect the low tariff power supply to the low tariff mains feed **(1)**.
- Connect the ripple control signal relay to terminal 13 "EVU", if required by the power company. This signal blocks the heat pump when the contact is closed (see Fig. 6.7).

Key to Fig. 6.3



You will find an overview of the complete wiring diagram in the appendix.

6 Electrical installation

6.4.3 Dual circuit feed, special tariff (Electroplan 3)

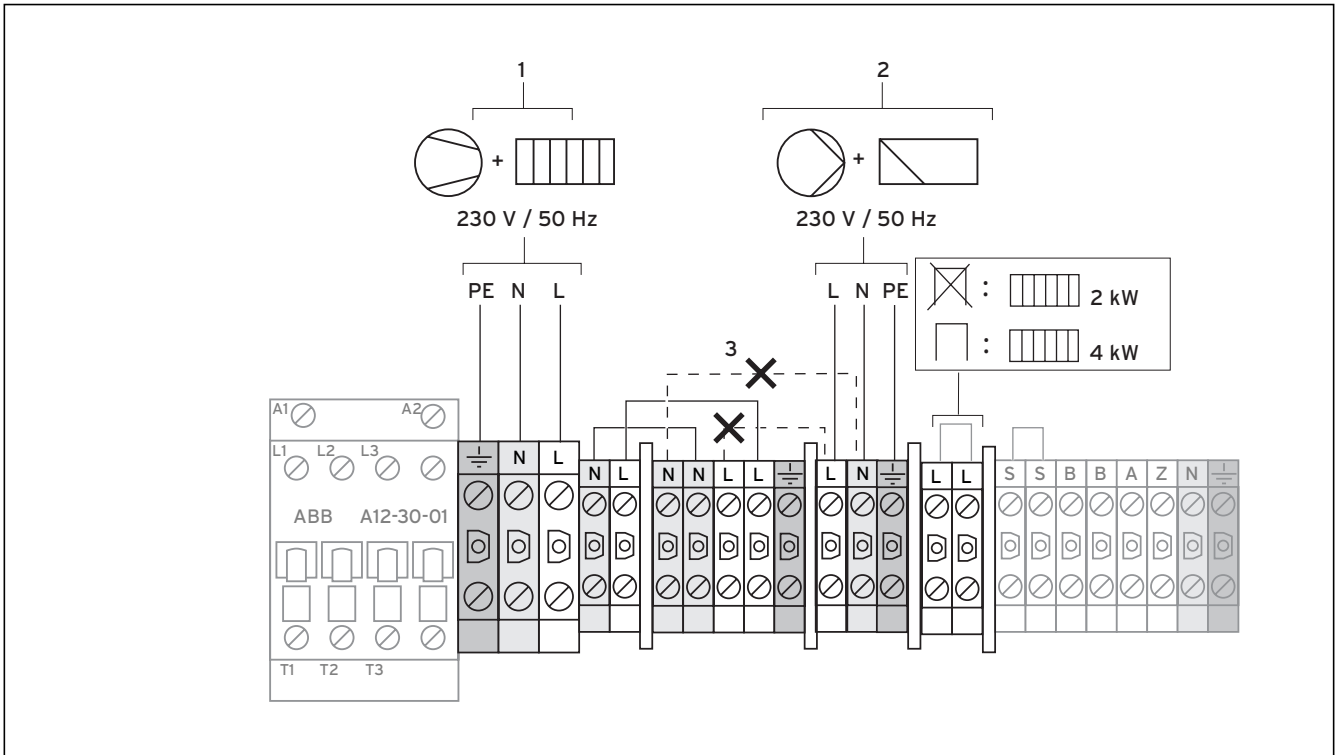


Fig. 6.4 Dual circuit feed, special tariff

In this instance the heat pump is operated on two tariffs (two consumer meters). A permanent supply for the **secondary consumers (circulation pumps, controller, etc.)** must be ensured via a meter. The **low tariff supply for the compressor and the auxiliary heating** is effected via a second meter and can be interrupted by the power company at peak times.

- Remove the jumpers (dashed lines, **3**).
- Connect the permanent power supply to the controller mains feed (**2**).
- Connect the low tariff power supply to the low tariff mains feed (**1**).
- Connect the ripple control signal relay to terminal 13 "EVU", if required by the power company. This signal blocks the heat pump when the contact is closed (see Fig. 6.7).

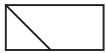
Key to Fig. 6.4



Pump



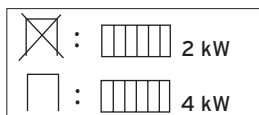
Compressor



Controller



Auxiliary heater



You can set the output of the auxiliary heating from 4 kW to 2 kW by removing the bypass line, if required.

You will find an overview of the complete wiring diagram in the appendix.

6.4.4 Connecting external components

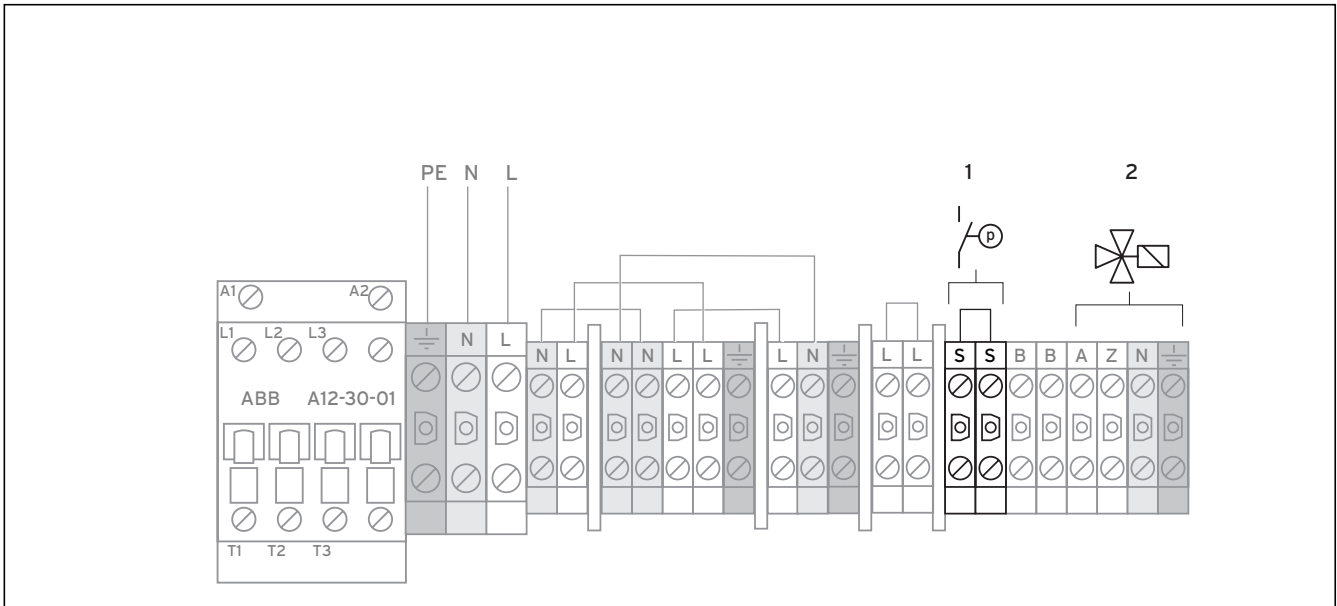


Fig. 6.5 Connecting external components

Key to Fig. 6.5



Brine Switch



3-way valve with solenoid

Should you wish to connect an external brine pressure switch to the heat pump, use the terminals (1) for this.

Only if the VPA multi-cylinder or some other multi-cylinder is installed

- Connect the external 3-way valve for the multi-cylinder to the terminals (2).



Note!

When using an external 3-way valve, the proper functioning of the heat pump is only assured if the valve supplied with the VPA Multi-cylinder is used.

6 Electrical installation

6.4.5 Simultaneous operation of the compressor and auxiliary heating

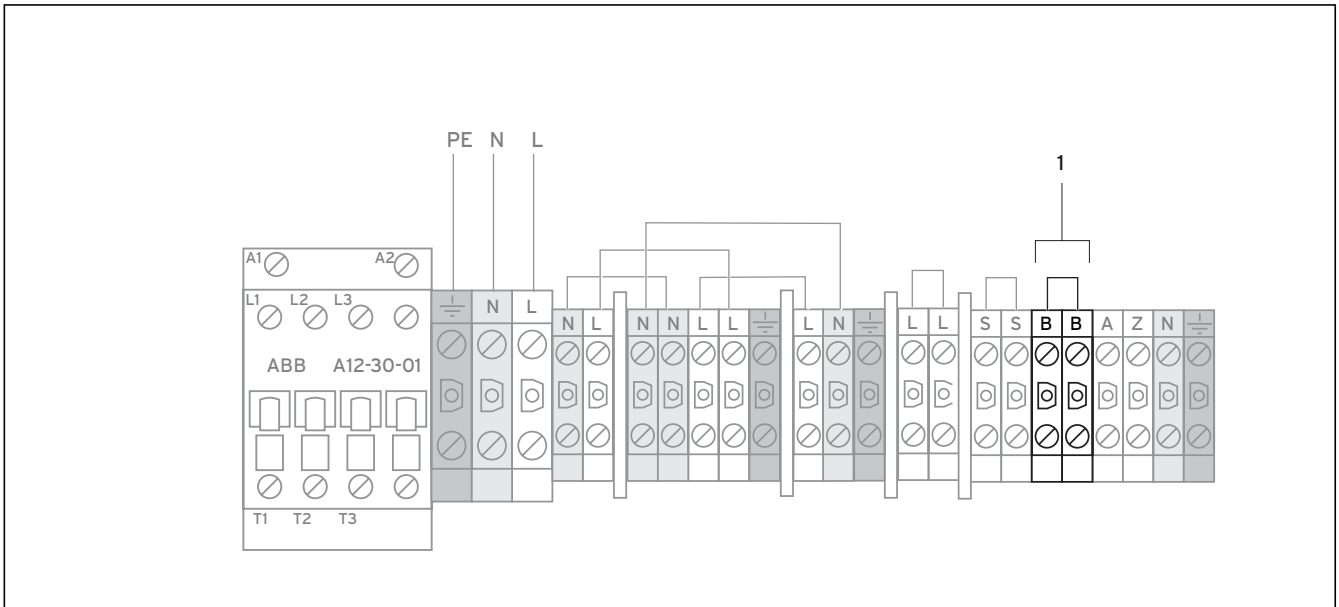


Fig. 6.6 Simultaneous operation of the compressor and auxiliary heating

In the as-delivered condition, simultaneous operation of the compressor and the auxiliary heating is barred. If the supply mains permits it and comfort requires it, you can enable simultaneous operation by fitting a jumper (1).

6.5 Controller PCB at a glance

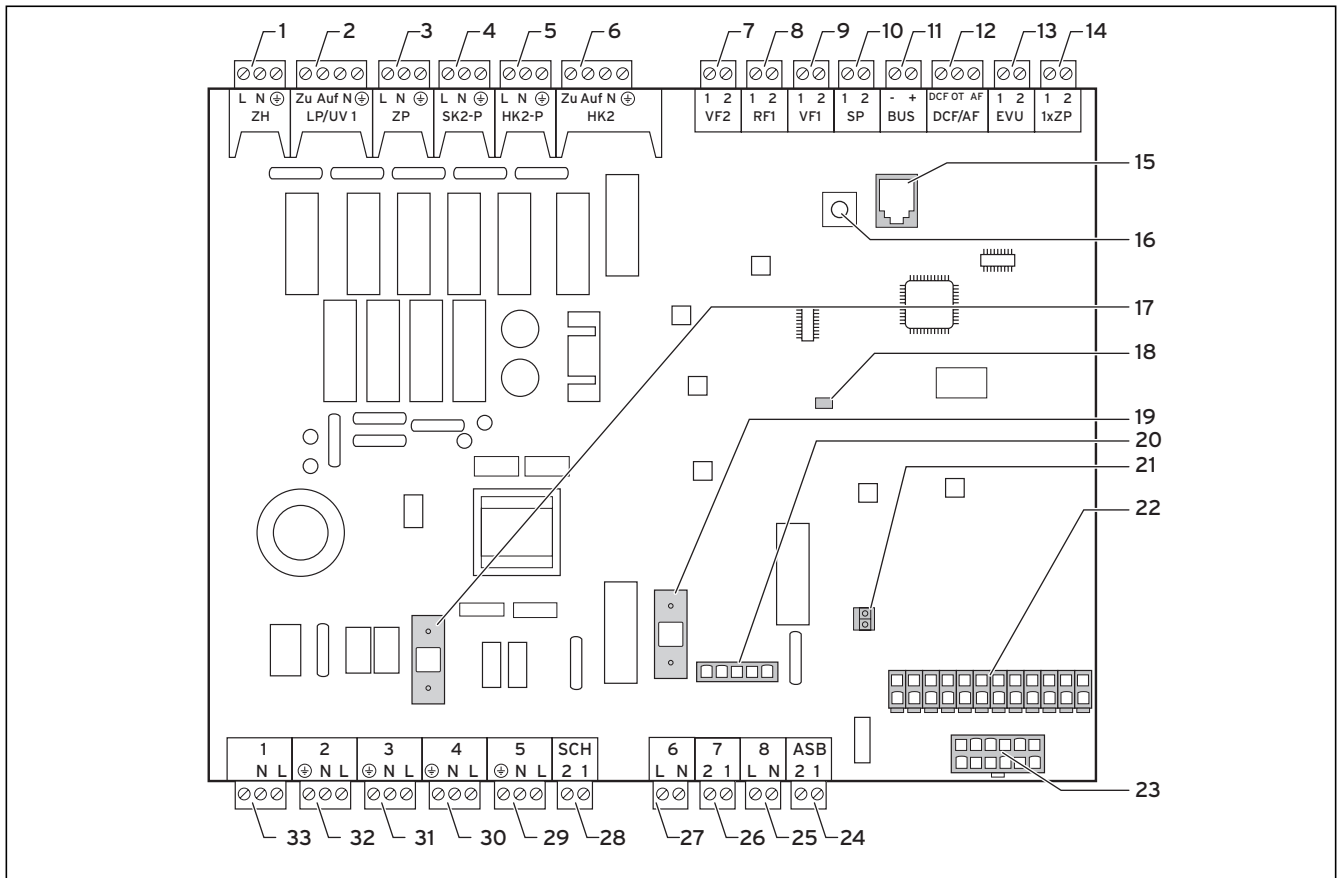


Fig. 6.7 Controller PCB

Key to Fig. 6.7

Upper connection terminals

- 1 <ZH> Electric auxiliary heating
- 2 LP / UV 1 3-port diverter valve for hot water generation
- 3 <ZP> Circulation pump for hot water
- 4 <SK2-P> unused
- 5 <HK2-P> External (second) heating circuit pump
- 6 <HK2> Actuation of 3-way mixer valve
- 7 VF2 External flow sensor - must always be installed!
- 8 RF1 Temperature at bottom of buffer cylinder
- 9 VF1 Temperature at top of buffer cylinder
- 10 SP DHW cylinder temperature sensor
- 11 BUS eBUS
- 12 DCF / AF Outside temperature sensor + DCF signal
- 13 EVU EVU contact (ripple control signal from power company)
open: compressor operation permitted
closed: compressor operation blocked
- 14 1xZP Contact for one-shot request for circulation pump, e.g. via button

- 18 Check LED for power supply (lights green if OK)
- 19 Fuse T 4A/250 V for brine pump
- 20 Monitoring for starting current limiter
- 21 Controller plug (User Interface)
- 22 Sensor connection plug 1
- 23 Sensor connection plug 2

Lower connection terminals

- 24 ASB Actuation of starting current limiter
- 25 8 Compressor contactor
- 26 7 Pressure switch
- 27 6 (not connected)
- 28 SCH unused
- 29 5 Brine pump
- 30 4 Power supply, PCB
- 31 3 Internal heating circuit pump
- 32 2 unused
- 33 1 unused

PCB components

- 15 eBUS/vrDIALOG
- 16 eBUS address rotary switch, set to "I" (factory setting)
- 17 Fuse T 4A/250 V

The controller PCB has a protective cover plate which has cut-outs for the eBUS/vrDIALOG (Item 15) connection, as well as for the power supply LED (Item 18). The cover plate must be removed to change the fuses, Items 17 and 19.

6 Electrical installation

6.6 Wiring the controller PCB

The controller has an automatic sensor recognition function. You must configure the connected heating circuits in accordance with the system combination. In the following you will find various options for operating the heat pump.

6.6.1 Connecting the VR 10 standard sensor

Additional sensors are required as flow, return, collector or cylinder sensors, depending on the configuration of the system. The VR 10 standard sensor is so designed that it can be used as an immersion sensor, e.g. as a cylinder sensor in a cylinder sensor tube, or as a flow sensor in a hydraulic switch. Using the enclosed cable tie you can also attach it as a contact sensor to the heating flow or return pipes. We recommend that the pipe together with the sensor be insulated to ensure optimum temperature measurement.

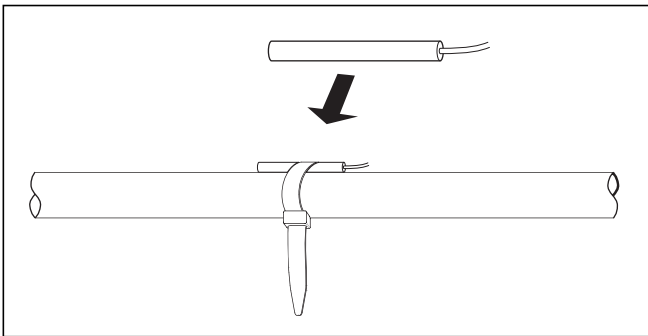


Fig. 6.8 VR 10 standard sensor

6.6.2 Direct heating operation (Hydraulic plan 1)

The heat pump is connected directly to the underfloor heating circuit. Control system is carried out using energy balance control by default (see Chap. 8.4.2). The VF2 flow temperature sensor must be connected (floor protection circuit).

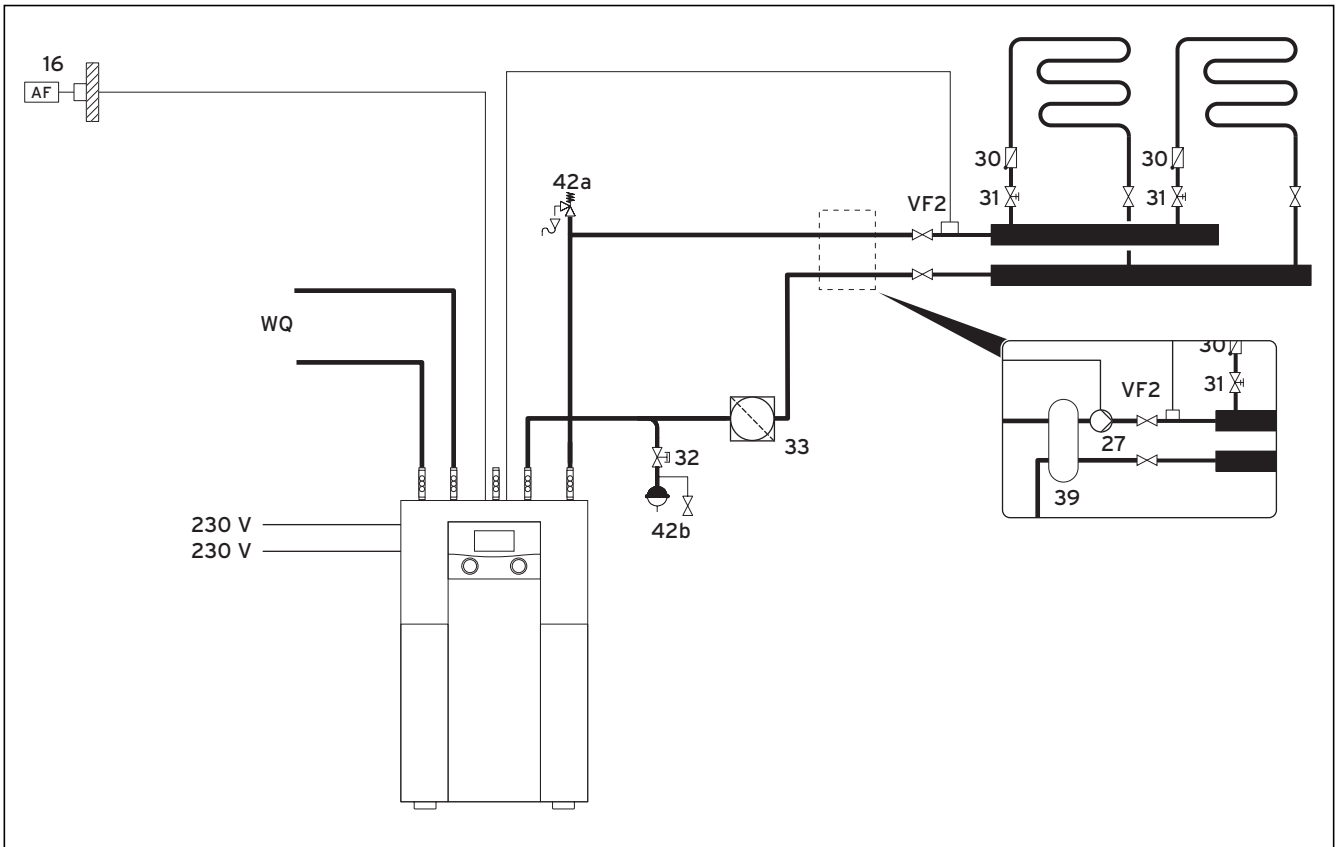


Fig. 6.9 Hydraulic plan 1

Key to Fig. 6.9

- 30 Gravity brake
- 31 Control valve with position indication
- 32 Cap valve
- 33 Air separator/Dirt filter
- 42a Expansion relief valve
- 42b Expansion vessel
- AF Outdoor sensor
- VF2 supply temperature sensor
- WQ Heat source circuit

optional for hydraulic decoupling:

- 27 Heating circuit pump with control line to the heat pump
- 39 Hydraulic switch



Note!

Should hydraulic decoupling of the heating circuit be necessary, then fit a low loss header and an external heating circuit pump as shown in Fig. 6.9.

6 Electrical installation

6.6.3 Mixer circuit with buffer cylinder (Hydraulic plan 2)

The unregulated underfloor heating circuits are operated by the external heating circuit pump from the buffer cylinder via a mixer. The flow temperature sensor sits behind the external pump.

The heat pump responds to a demand for heat from the buffer cylinder.

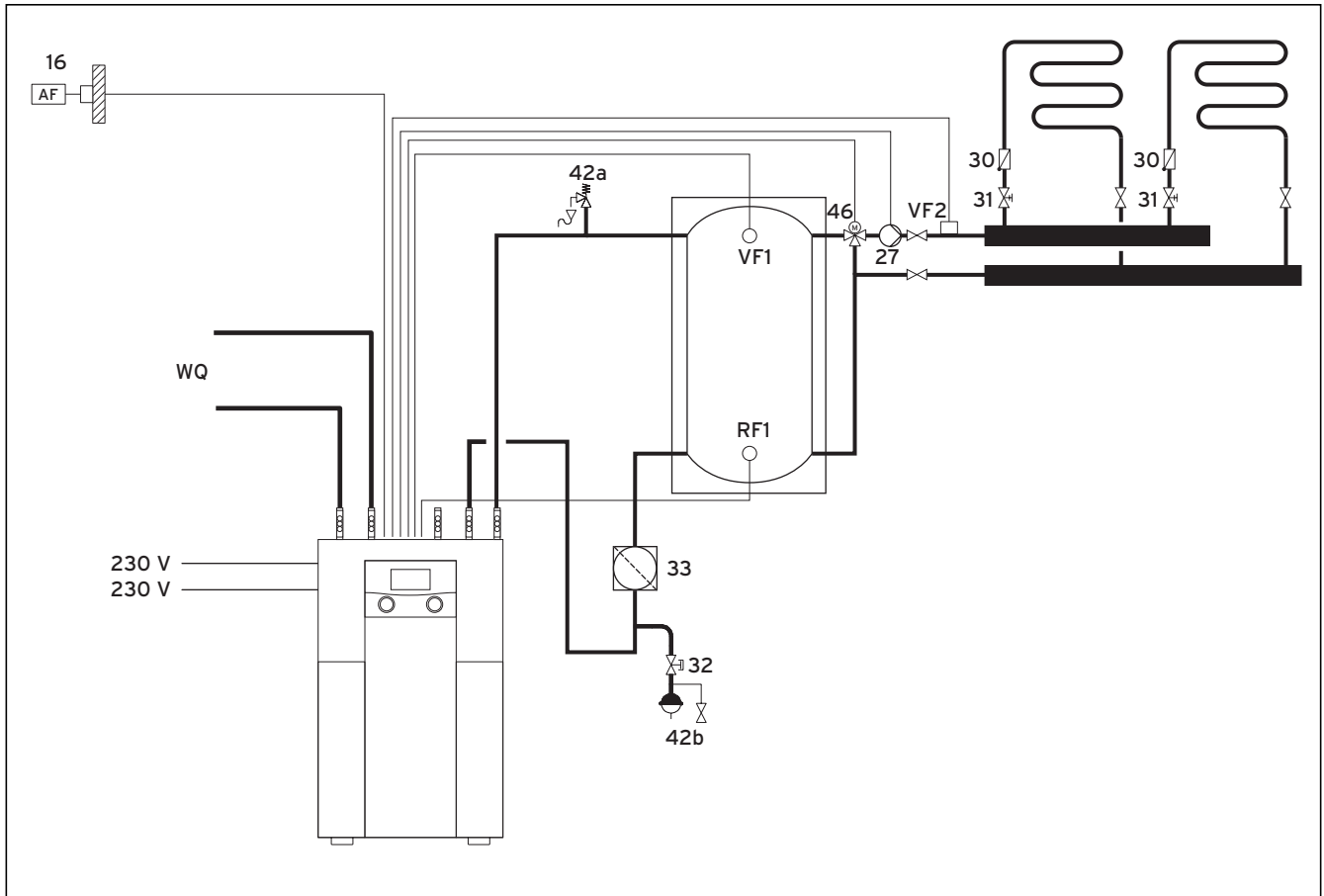


Fig. 6.10 Hydraulic plan 2

Key to Fig. 6.10

- 27 CH pump
- 30 Gravity brake
- 31 Control valve with position indication
- 32 Cap valve
- 33 Air separator/Dirt filter
- 42a Expansion relief valve
- 42b Expansion vessel
- 46 Mixer valve
- AF Outdoor sensor
- VF1 Top temperature sensor, buffer
- VF2 supply temperature sensor
- RF1 Bottom temperature sensor, buffer
- WQ Heat source circuit

6.6.4 Direct heating operation and domestic hot water cylinder (Hydraulic plan 3)

The heat pump is connected directly to the underfloor heating circuit. Control system is carried out using energy balance control by default (see Chap. 8.4.2). The VF2 flow temperature sensor must be connected (floor protection circuit).

The heat pump also supplies a domestic hot water cylinder.

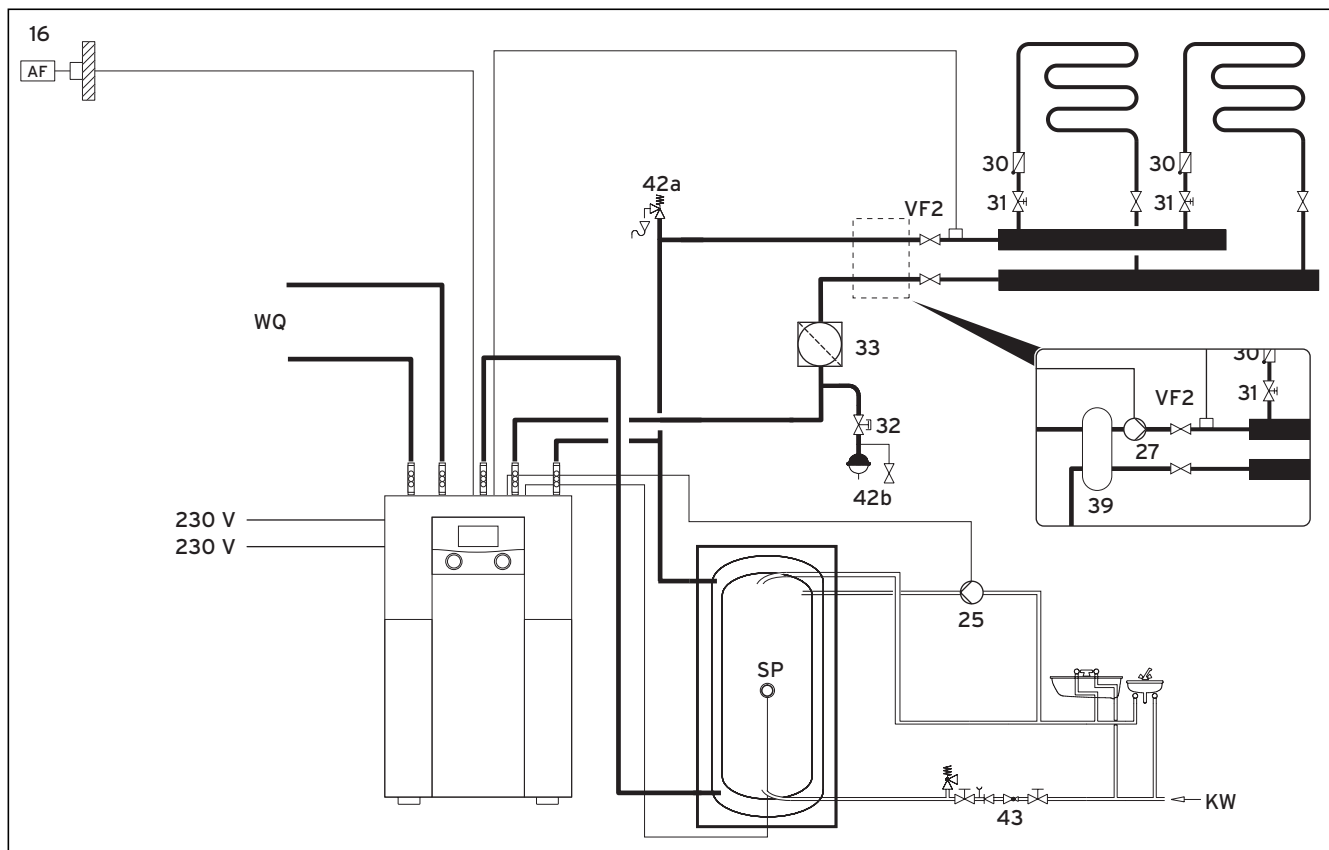


Fig. 6.11 Hydraulic plan 3

Key to Fig. 6.11

- 30 Gravity brake
- 31 Control valve with position indication
- 32 Cap valve
- 33 Air separator/Dirt filter
- 42a Expansion relief valve
- 42b Expansion vessel
- AF Outdoor sensor
- VF2 supply temperature sensor
- WQ Heat source circuit
- KW Cold water

optional for hydraulic decoupling:

- 27 Heating circuit pump with control line to the heat pump
- 39 Hydraulic switch



Note!

Should hydraulic decoupling of the heating circuit be necessary, then fit a low loss header and an external heating circuit pump as shown in Fig. 6.11.

6 Electrical installation

6.6.5 Mixer circuit with buffer cylinder and domestic hot water cylinder (Hydraulic plan 4)

The unregulated underfloor heating circuits are operated with the external heating circuit pump from the buffer cylinder via a mixer. The feed temperature sensor is located behind the external pump.

The heat pump responds to a buffer cylinder heat requirement.

The heat pump also supplies a domestic hot water cylinder.

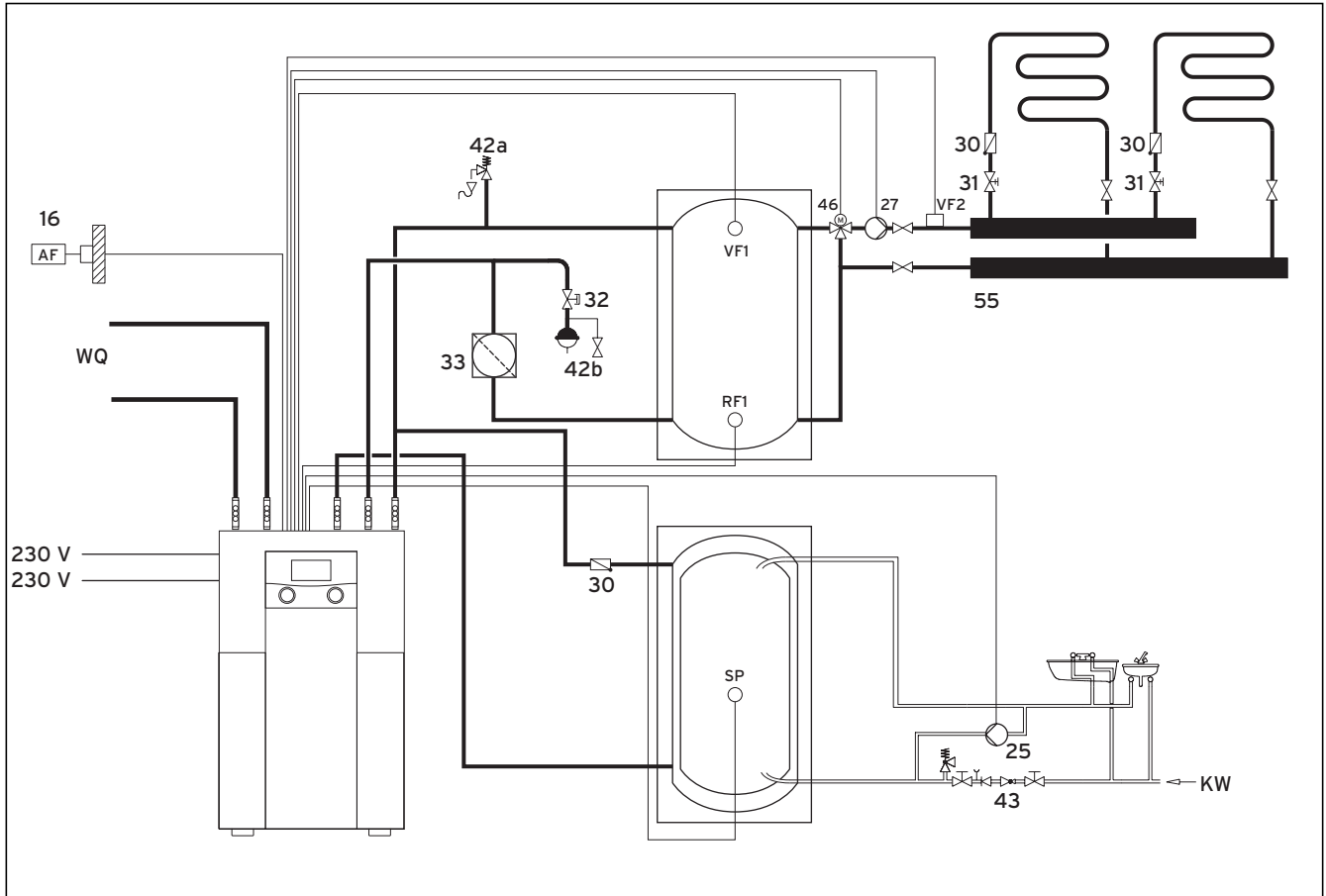


Fig. 6.12 Hydraulic plan 4

Key to Fig. 6.12

- 25 Circulation pump
- 27 CH pump
- 30 Gravity brake
- 31 Regulating valve with position indicator
- 32 Cap valve
- 33 Air separator/Dirt filter
- 42a Expansion relief valve
- 42b Expansion vessel
- 43 Safety group, drinking water cylinder
- 46 Mixer valve
- SP Cylinder temperature sensor
- AF Outdoor sensor
- VF1 Top temperature sensor, buffer
- VF2 supply temperature sensor
- RF1 Bottom temperature sensor, buffer
- WQ Heat source circuit
- KW Cold water

6.7 Connecting the DCF receiver

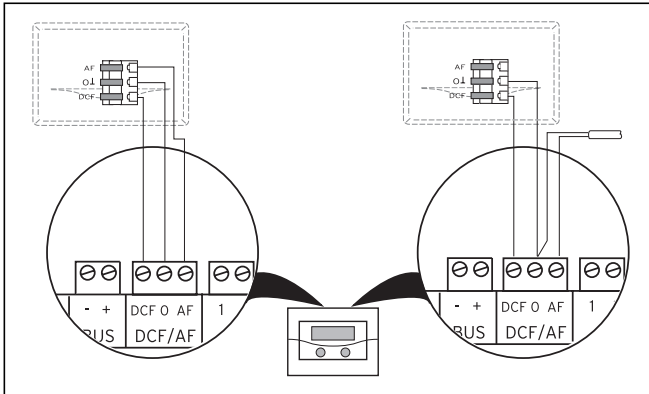


Fig. 6.13 Connecting the DCF receiver

- Wire the DCF receiver as shown in Fig. 5.13.
 - left: enclosed external sensor (DCF receiver)
 - right: alternative solution with separate external sensor

An alternative solution with a separate VRC 693 outdoor sensor is necessary if, e.g., no radio reception is available at the location of the outdoor sensor.

6.8 Connecting accessories



Caution!
Risk of damage!
Switch off the power before connecting additional units to the eBUS.

You can connect the following accessories:

- Up to six VR 60 mixer modules to expand the system by system circuits (factory pre-set as mixer circuits).
- Up to eight VR 90 remote control units to control the first eight heating circuits.
- vrnetDIALOG 840/2 or 860/2
- Connection in each case to the eBUS terminal (Fig. 6.7, Item 11), connected in parallel.

6.8.1 Installing the VR 90 remote control unit

The VR90 remote control units communicate with the heating controller via the eBus. You can connect them to any interface in the system. You need only make sure that the bus interfaces are connected to the heat pump controller.

The structure of the Vaillant system allows you to run the eBus from component to component (see Fig. 6.9). Interchanging the cables does not lead to any impairment in communication.

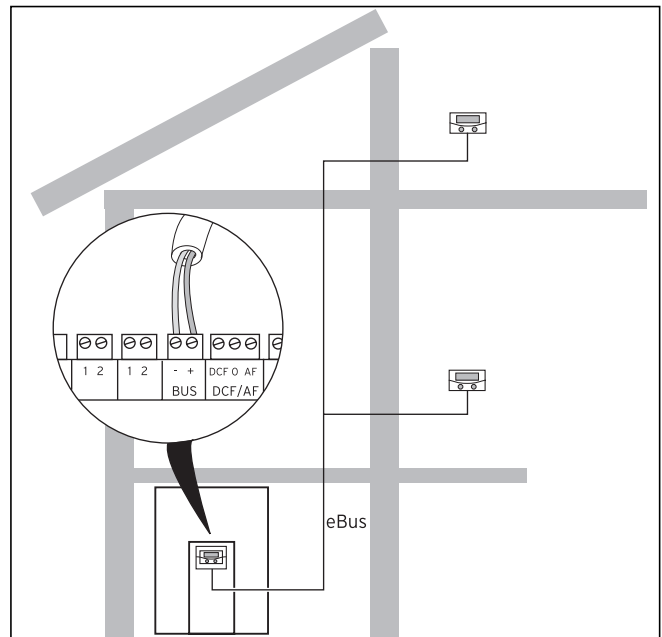


Fig. 6.14 Connecting remote control devices

All eBus connector plugs are designed to allow you to wire at least 2 x 0.75 mm² per pigtail. The use of cable with a cross-section of 2 x 0.75 mm² is therefore recommended for eBUS cables.

Setting the bus address

In order to ensure perfect communication between all components it is necessary to provide the remote control unit with an address that matches the heating circuit to be controlled.

- Set the bus address on the first additional VR 90 remote control unit to "2".
- Set different, sequential bus addresses for any further remote control units. Observe the VR 90 manual.

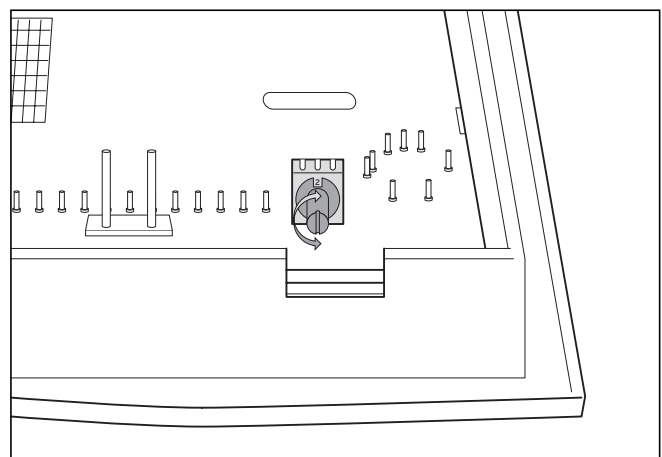


Fig. 6.15 Setting the bus address

6 Electrical installation

6.8.2 Connecting further mixer circuits

Like the VR 90 remote control units, the VR 60 mixer modules also communicate with the heating controller via the eBUS. When installing, observe the same procedure as for connecting the remote control units (see Chap. 5.8.1).

The system structure can be seen in Fig. 5.16. Observe the mixer module manual.

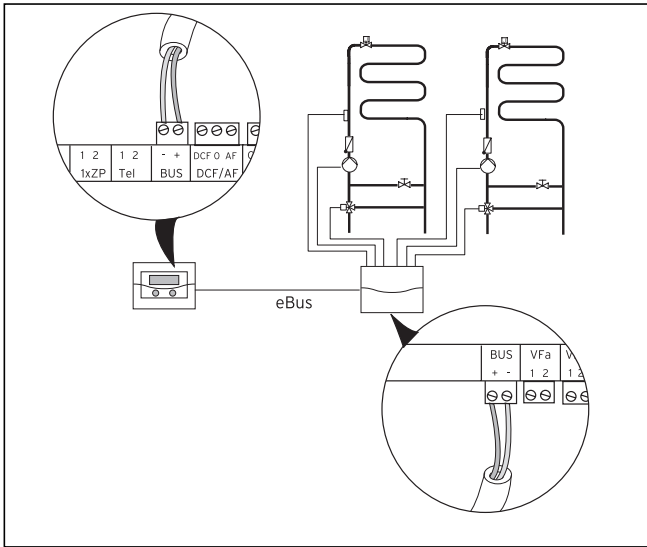


Fig. 6.16 Connecting further mixer circuits

6.8.3 Connecting vrnetDIALOG

The vrnetDIALOG communications unit (accessory) is fastened to the mounting plate provided on the frame of the operating console and connected to the controller PCB.

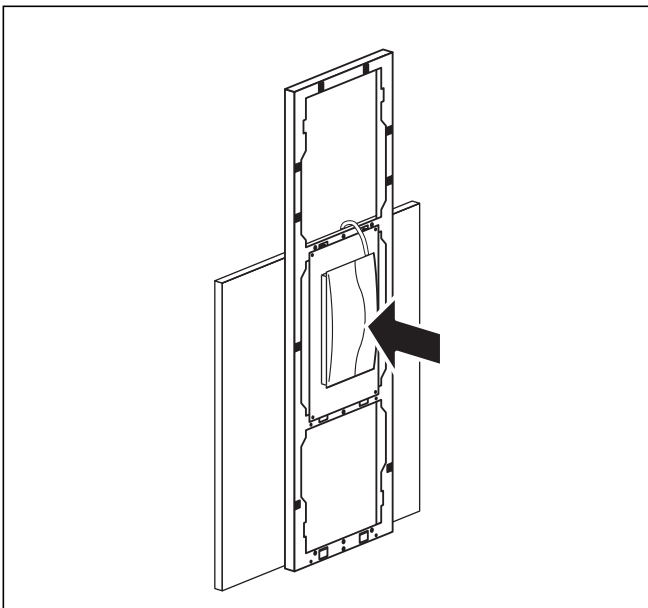


Fig. 6.17 Fitting vrnetDIALOG

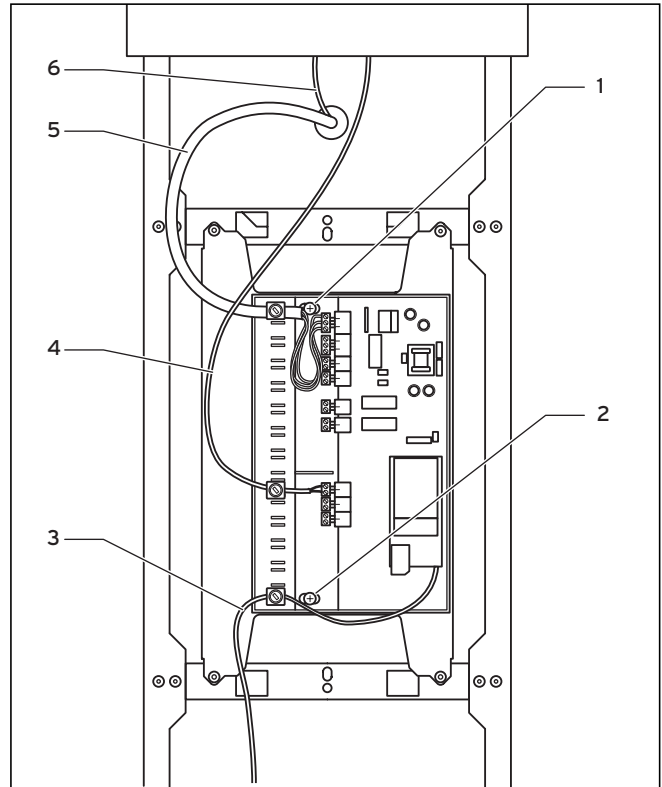


Fig. 6.18 Connecting vrnetDIALOG

- Fasten the casing of the vrnetDIALOG to the mounting panel of the operating console using the self-tapping screws (1) and (2) from the accessory bag. For fixing, see also the vrnetDIALOG manual.
- Pass the power supply cable present within the heat pump (5) through the opening in the upper front cladding and connect it to the vrnetDIALOG unit.
- Next pass the connecting cable (6) from the operating console through the opening in the upper front cladding and connect to it the adapter cable from the accessory pack (4) for connecting between the vrnetDIALOG unit and the heat pump.

The connector on the adapter cable is intended for the operating console; the second cable is intended for connection to the eBUS plug from the vrnetDIALOG unit.



Note!

Any other eBUS cables already present on the vrnetDIALOG unit are not required and can thus be removed.

- Now connect the aerial or telephone cable (3) to the vrnetDIALOG unit (see also the vrnetDIALOG manual). These cables must not be fed through the heat pump.

6.9 Connecting an external boiler

If your external boiler has a Vaillant eBUS interface, you can connect it to the heat pump eBUS via the VR32 accessory (refer to the VR32 manual for more information).

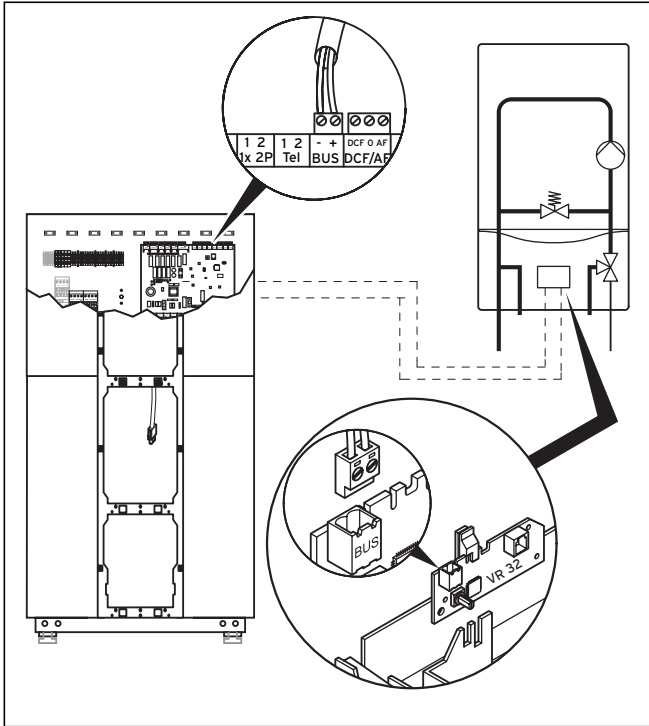


Fig. 6.19 Connecting to a boiler with an eBUS interface

Boilers without eBUS interfaces are switched by the heat pump controller via the internal auxiliary heating contact (ZH, see Fig. 6.7) using an isolating relay (accessory, Vaillant No. 306249).

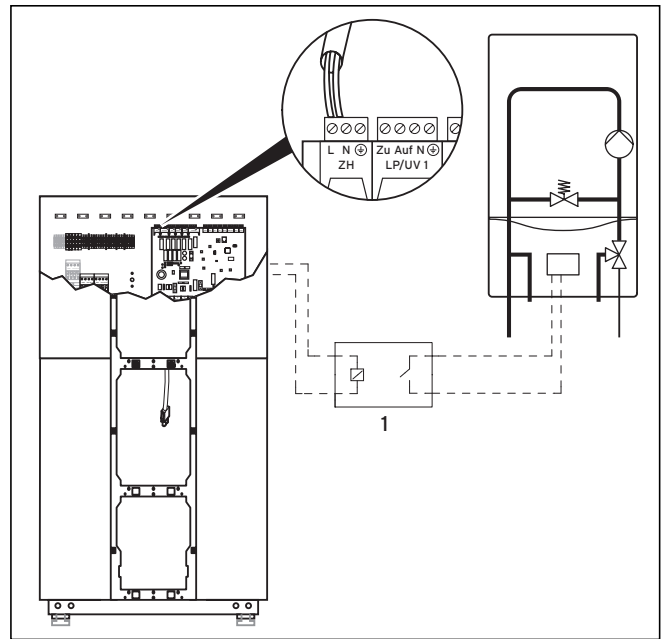


Fig. 6.20 Connecting to a boiler without an eBUS interface

Key to Fig. 6.20

1 Isolating relay (Accessory No. 306249)

In both cases, the heat pump switches in the external boiler depending on the heat demand and the controller setting.

6.10 Fitting the cladding and the control panel

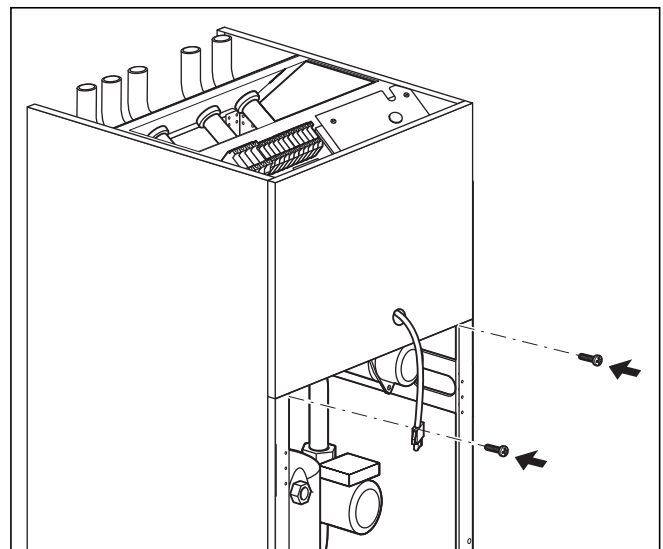


Fig. 6.21 Installing the front upper cladding

- Feed the console connector through the opening in the front lower cladding panel and then press the panel into the spring retainer on the casing frame.
- Screw the cladding panel to the casing with the two screws, as shown in the illustration.

6 Electrical installation

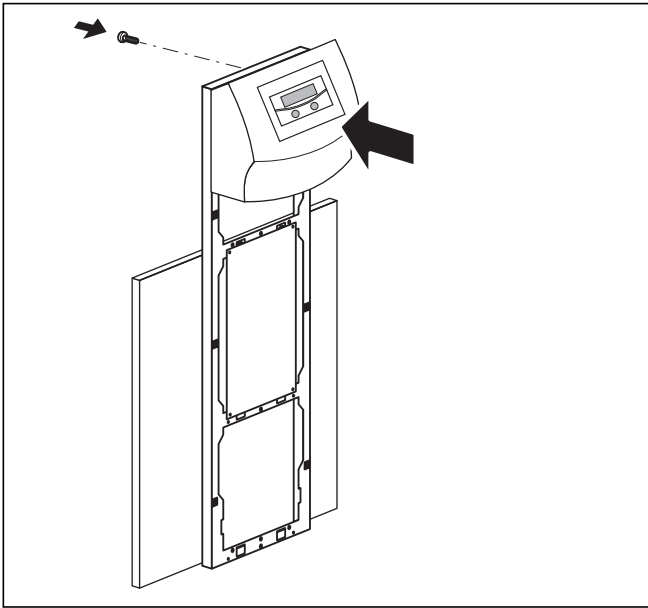


Fig. 6.22 Fitting the operating console

- If you have mounted the vrnetDIALOG communication unit, connect the connection cable to the controller PCB (see Chap. 6.5).

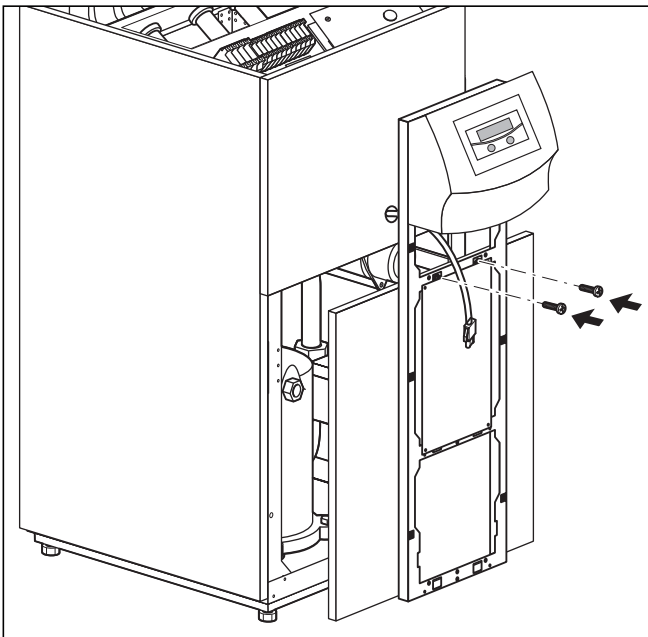


Fig. 6.23 Fitting the front lower cladding

- Press the lower cladding panel into the spring retainer on the casing and screw the panel frame to the casing using the two screws, as shown in the illustration.

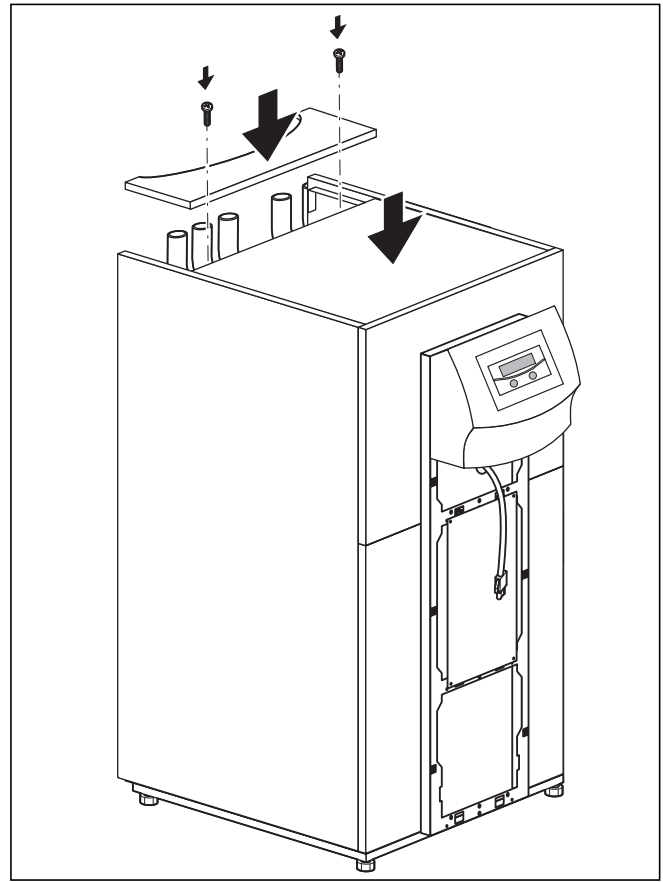


Fig. 6.24 Fitting the upper cover

- Attach the upper cover and screw it down securely with the two associated screws.
- Press the pipe access cover into the spring retainer.

7 Start-up



Danger!
Risk of injury!
The heat pump may only be put into operation after all the cladding sections have been fitted.

7.1 General points regarding start-up

- Before putting the heat pump into operation, first check the Start-up Checklist in Chap. 14.

The heat pump may only be started if all the points noted there have been satisfied.

Before you actually start up the heat pump, familiarise yourself with the controller interface described below.

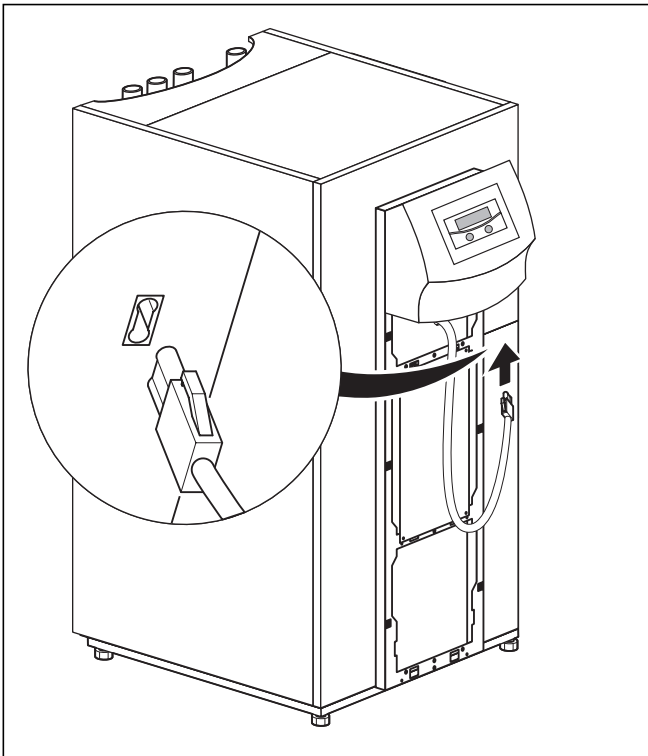


Fig. 6.25 Fitting and connecting the operating console

- Connect the supply line to the control panel.

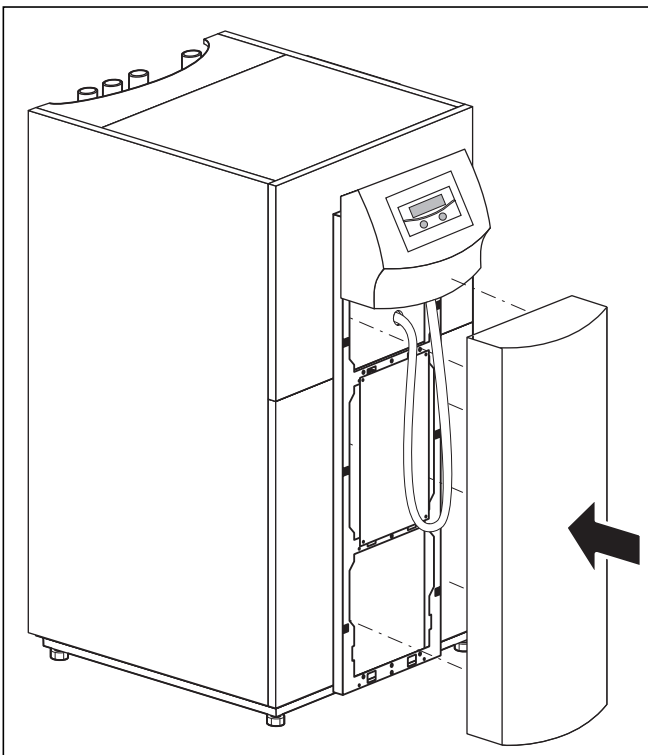


Fig. 6.26 Fitting the front panel of the operating console

- Push the front panel of the control panel on to the frame.

7 Start-up

7.2 Operating the controller

7.2.1 Finding your way around the controller

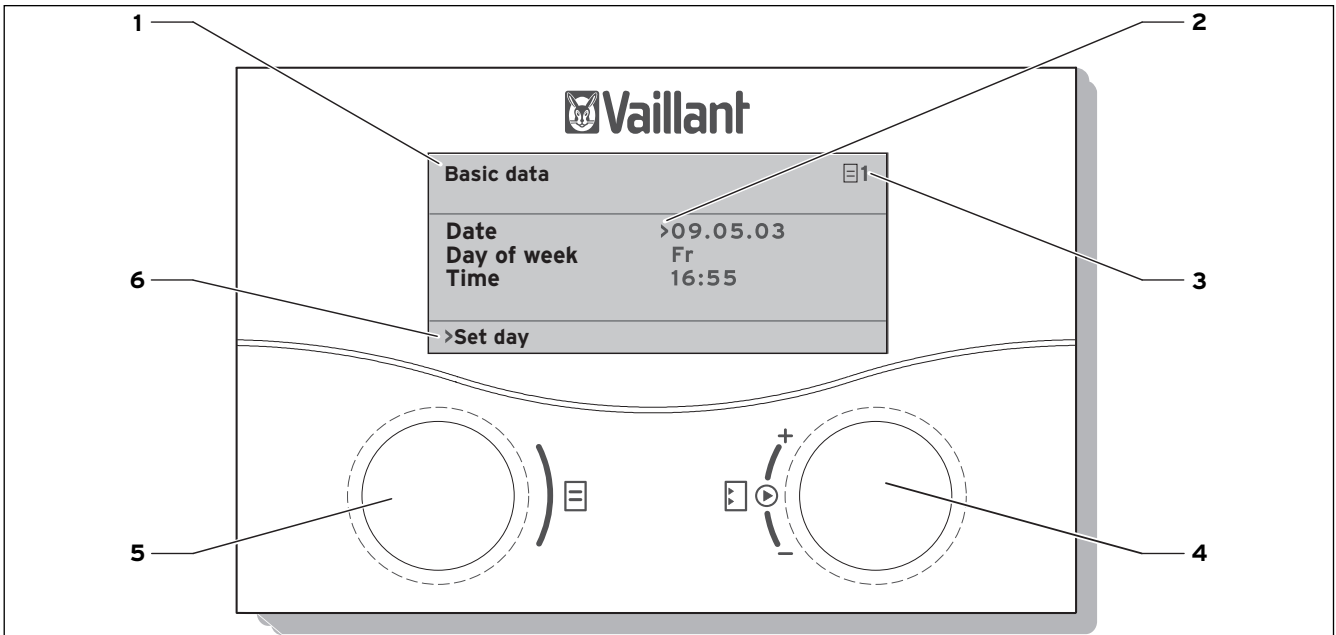
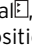
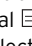



Fig. 7.1 Operating overview





















Key

- 1 menu name
- 2 Cursor indicates the selected parameter
- 3 menu number
- 4 Dial , position parameter (turn), select parameter (press)
- 5 Dial , select menu (turn), activate special operation (press)
- 6 Information line (in the example a handling request)

7.2.2 Calling up the screens

The menus are identified by a number at the top right of the display. You can access the next menu by turning the  dial. The numbers make it easier to find individual menus during programming.

7.2.3 Typical operating sequence on the operator level

-   → 
 - Turn the dial  until the menu required has been selected.
-   → 
 - Turn the dial  until the parameter to be modified has been selected.
-   → 
 - Press the dial  to mark the parameter to be modified. The parameter will be highlighted on a dark background.
-   → 
 - Turn the dial  to modify the parameter setting value.
-   → 
 - Press the dial  to mark the setting value to be accepted.
- Repeat this sequence until all the settings have been made.

7.3 Carrying out the initial commissioning

As soon as the heat pump is supplied with power during the initial commissioning, an internal self-test starts automatically, whereby the heat pump checks itself and any connected components for functional capability. The sensor pin assignment is also checked during the self-test and also the sensors used to make sure they are in working order.

If the self-test was not successful, an error message appears on the controller display (see Chap. 10, "Troubleshooting and diagnosis").

- Switch on the circuit breaker, so that the heat pump is supplied with power. The heat pump starts, the controller software is initialised:

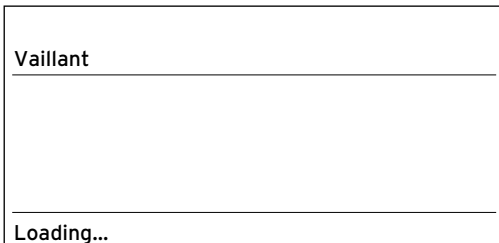


Fig. 7.2 Controller being initialised

After a short time the controller is ready for operation and detects that this is an initial commissioning. During the initial installation the controller always starts with the Installation Assistant - Menu A1.

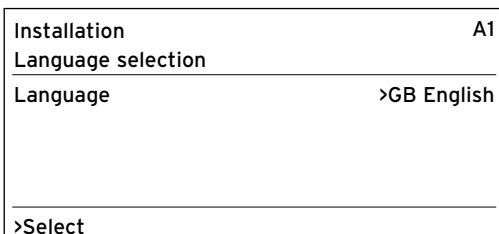


Fig. 7.3 Menu A1: Language selection

Change the language setting if necessary and turn the dial to the next menu.

Installation assistant	A2
Hydraulic scheme	0
Electric Wiring Diagram	0
Accept change	No
>Select	

Fig. 7.4 Menu A2: Installation assistant



The heat pump type has already been set at the factory and may not be changed!

Selecting the hydraulic plan



Caution!
Possible malfunctions.
Take care to select the correct hydraulic plan, as otherwise malfunctions can occur in the system.

- Turn the dial until the cursor **>** points to the hydraulic plan no.
- Press the dial. The parameter will be activated and displayed in inverse video.
- Turn the dial until the hydraulic plan matching your system has been selected (see Table 7.1). You will find the hydraulic diagram for your installation in Chap. 6.7.2 ff.
- Press the dial to confirm the selection.


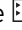
Hydraulic plan No.	Buffer tank	CH circuit	DHW cylinder	Probe	Fig. No.
1		X		AF, VF2	6.8
2	X	X		AF, VF1, VF2, RF1	6.9
3		X	X	AF, SP, VF2	6.10
4	X	X	X	AF, SP, VF1, VF2, RF1	6.11

Table 7.1 Selecting the Hydraulic plan No.





Selecting the electroplan

- Turn the dial until the cursor **>** points to the number of the electroplan.
- Press the dial. The parameter will be activated and displayed in inverse video.
- Select

7 Start-up

- Turn the  dial until the electroplan, "1", "2" or "3", matching your mains supply is selected (see Chap. 6.4):
 - 1 Unblocked mains supply
 - 2 = Dual circuit feed, heat pump tariff
 - 3 = Dual circuit feed, special tariff
- Press the  dial to confirm the selection.

Adopting the settings

- Turn the  dial until the cursor **>** on the right of the "accept" menu entry points to NO.
- Press the  dial. The parameter will be activated and displayed in inverse video.
- Turn the  dial until "YES" appears.
- Press the  dial to confirm the selection.



Note!

A complete description of the displays (Menus A1 to A9) for the initial commissioning can be found in Table 8.4

- Make all the necessary settings and continue with the Installation Assistant to the end.

Installation completed	A9
Exit mode?	>yes
>Settable values	

Fig. 7.5 Menu A9: Ending the installation

- Only set "Exit mode?" to "YES" if you are sure that everything has been set correctly.
- Once you have confirmed with "YES", the controller switches to the graphics display. The heat pump starts under its autonomous control system.

7.4 Bleeding the brine circuit.

To bleed the brine circuit, activate the "Brine bleeding" menu point in Menu A7. The brine pump now alternates between 50 minutes operation and 10 minutes standstill. Check whether the fluid level in the brine expansion tank has stabilised.

- Let the brine pump continue to run, so that the air trapped in the system can be collected in the expansion tank. The level of the fluid in the expansion tank falls as a result of the discharge of air and must be topped up again as described in Chap. 5.2.
- Open the expansion relief valve to allow any possible overpressure to discharge. The tank must be filled to 2/3 full with fluid.

7.5 Bleeding the heating circuit

- If manual switching of the heating circuit pump and the 3-way valve is necessary to bleed the heating circuit, perform this via Menu A5/A6 (see Table 8.4).

7.6 Handing the system over to the operator

- Instruct the operator of the system in the handling and function of all the equipment.
- Hand over all the instruction manuals and documents for the appliance to the operator for safe keeping.
- Tell the operator to keep the manuals nearby the controller. Inform the owner of the need for regular inspection of the system.

8 Controller

To operate the heat pump economically, it is important to match the control system to the customer's heating system and to the pattern of use.

In the following chapter, all the functions of the weather-controlled energy balance controller will be explained.

8.1 Operating modes and functions

There are five operating modes available for the heating circuit:

- **Auto:** the operation of the heating circuit alternates between the "Heating" and "Energy saving" modes in accordance with a preset timer programme.
- **Eco:** the operation of the heating circuit alternates between the "Heating" and "Off" modes in accordance with a preset timer programme. The heating circuit is switched off during the set-back period provided the frost protection function (which depends on the outside temperature) is not activated.
- **Energy saving:** the heating circuit is operated at the set-back temperature independently of any preset timer programme.
- **Heating:** the heating circuit is operated at the flow temperature setpoint independently of any preset timer programme.
- **Off:** the heating circuit is out of operation, provided that the frost protection function (which depends on the external temperature) is not activated.

The "Auto", "On" and "Off" operating modes are available for connected domestic hot water cylinders:

- **Auto:** the commands for recharging the cylinder or enabling the circulating pump are given according to a preset timer programme.
- **On:** recharging is constantly enabled, i.e. the cylinder is immediately re-heated when needed, and the circulating pump is constantly in operation.
- **Off:** the cylinder is not heated and the circulation pump is not in operation. Only when the storage tank temperature falls below 10 °C is the storage tank reheated to 15 °C for frost protection reasons.

8.2 Automatic auxiliary functions

Frost protection

The controller is equipped with a frost protection function. This function ensures that your heating installation is protected from frost in all operating modes.

The set-back temperature is pre-set automatically for each heating circuit if the outside temperature falls below 3 °C.

Cylinder frost protection

This function starts automatically when the actual temperature of the cylinder falls below 10 °C. The cylinder is

then heated to 15 °C. This function is also active in the "Off" and "Auto" operating modes, regardless of the timer programmes.

Checking the external sensors

The hydraulic basic circuit given by you during commissioning determines the required sensors. The heat pump constantly checks automatically that all sensors are installed and functioning.


Protection from loss of heating water

An analogue pressure sensor monitors possible low water pressure and switches the heat pump off if the water pressure on the pressure gauge reads less than 0.5 bar and switches it back on when the water pressure is over 0.7 bar on the pressure gauge.

Pump seizing and valve seizing protection

To prevent the heating, circulation or brine pumps, or the hot water diverter valve UV1, from seizing, those pumps and the valve that have not been in operation for the last 24 hours are turned on in sequence for approximately 20 seconds every day.

Protection against loss of brine

An analogue pressure sensor monitors possible low brine pressure and switches the heat pump off if the brine pressure is ever less than 0.2 bar on the pressure gauge and error 91 is displayed on the error memory. The heat pump switches on again when the brine pressure rises above 0.4 bar gauge pressure. If the brine pressure drops below 0.6 bar on the pressure gauge for more than one minute a warning appears in menu .

Floor protection circuit for all hydraulics without buffer cylinder (e.g. in hydraulic plans 1 and 3)

If the heating flow temperature in the underfloor heating circuit measured by sensor VF2 continuously exceeds a value of (max. HK temp. + compressor hysteresis + 2 K, default setting: 52 °C) for longer than 15 minutes, the heat pump switches off with error message F.72 (see Chap. 10.6). When the heating flow temperature falls below this value again and the error has been reset the heat pump switches back on.

The maximum heating flow temperature can be changed via vrDIALOG with the "Maximum heating circuit temperature" parameter.



Caution!

Danger of damage to the floor.

Set the value for the floor protection circuit ensuring that it is not high enough to damage the floor as a result of excessively high temperatures.

8 Control system

Freezing protection function

The outlet temperature of the heat source is constantly measured. If the heat source outlet temperature falls below a defined value, the compressor switches off temporarily with error message 20 or 21 (see Chap. 10.4). If these errors appear three times in succession, a fault-induced shutdown takes place (see Chap. 10.5).

For the geoTHERM VWS heat pumps you can set the value (Default setting -10 °C) for the freezing protection in the installation assistant A4.

8.3 Settable auxiliary functions

You can set the following auxiliary functions from the controller yourself and thus adapt the system to local circumstances or the operator's wishes.



Note:

Operation of the controller is sub-divided into three levels:

- **Operator level** -> for the operator
- **Code level** -> for the expert technician
- **vrDIALOG** -> for the expert technician

8.3.1 Auxiliary functions in the Operator Level:

Time programme

You can set the heating times for each heating circuit. You can store up to three heating periods per day or per block (Block = Mon-Fri or Mon-Sun or Sat-Sun). See Table 8.3, Menu 3 "Timer programs".

Holiday programming

You can programme two holiday periods with date entry. You can additionally define the set-back temperature to which the system should be regulated during the period of absence.

See Table 8.3, Menu 4 "Holiday programming".

Party function

The party function permits you to extend the current heating and hot water periods beyond the next switch-off time, to the start of the next heating period.

See Chap. 8.9.

Energy-saving function

This function allows you to set back the heating for an adjustable period of time.

See Chap. 8.9.

8.3.2 Auxiliary functions in the Code Level:

Floor drying

You can dry out a freshly laid screed floor using this function in accordance with Table 8.1. The flow temperature corresponds to a routine stored in the controller and is independent of the outside temperature. All the selected operating modes are interrupted when this function is activated. See Table 8.4, Menu C6.

Day after starting the function	Target flow temperature for this day
Starting temperature	25 °C
1	25 °C
2	30 °C
3	35 °C
4	40 °C
5 - 12	45 °C
13	40 °C
14	35 °C
15	30 °C
16	25 °C
17 - 23	10 °C
	(frost protection function, pump in operation)
24	30 °C
25	35 °C
26	40 °C
27	45 °C
28	35 °C
29	25 °C

Table 8.1 Progress of the screed floor drying

The operating mode is displayed together with the current day and the target flow temperature. The current day can be set manually.

If the brine circuit is not yet finished, the drying of the screed floor can be accomplished by means of the auxiliary heating. In order that the drying of the screed floor can take place by means of the auxiliary heating, select the value "**ZH only**" for the "Heating mode" parameter in Menu C7, "Auxiliary heating".



Caution!

Overloading of the heat source!

If too much energy is extracted from the heat source while drying out a floor (e.g. in the winter months), the source can be overloaded and its regeneration impaired.

When the function is started, the current time of the start is saved. The day is changed exactly at this time. After network-off/-on, the floor-drying begins as follows:

Last day before mains off	Start after mains on
1 - 15	1
16	16
17 - 23	17
24 - 28	24
29	29

Table 8.2 Progress of the screed floor drying following mains off/on

If you do not wish to carry out the drying with the specified temperatures and/or times, you can specify variable flow temperature setpoints by means of fixed value controlling (see following section). When doing this, take note of the applicable compressor hysteresis (settable via vrDIALOG, see Chap. 8.10).

Legionella protect

The purpose of the "Legionella protect" function is to kill off germs in the DHW tank and in the pipes. Once a week, the domestic hot water cylinder is raised to a temperature of approx. 70 °C. The expert technician activates the "Legionella protect" function in the Code level and there can set a starting time and a starting day (weekday) on which the heating is to take place (see Table 8.4, Menu C9).

Remote parameter setting/alerting/diagnostics

It is possible to diagnose and adjust the heat pump by remote commands via vrDIALOG 810/2 or vrnetDIALOG 840/2 or 860/2. You will find more detailed information on this in the respective manuals.

8.3.3 Auxiliary functions via vrDIALOG:

Using its computer-supported graphics visualisation and configuration, vrDIALOG 810/2 (eBUS) enables you to optimise heating appliances and control systems and thus make use of their energy saving potential. Both of them enable you to create a visual impression of the processes in your control system and influence them at any time. The programmes enable you to record and graphically prepare system data, to load device configurations and change and save them online and to save information in the form of reports.

Using vrDIALOG 810/2, you can make all the settings for the heat pump as well as other settings for optimisation. See Chap. 8.10.

Acceleration mode

This operating mode simplifies the diagnosis of heat pump functions by speeding up the energy balancing in hydraulic plan 1 or 3 by a factor of 60. It is used as a test function. See Chap. 8.10.

Fixed value controlling

Using this function you can set, via vrDIALOG, a fixed flow temperature independently of the weather-controlled control system. See Chap. 8.10.

8.4 Description of the controller

8.4.1 Possible system circuits

The controller can control the following system circuits:

- a heating circuit,
- an indirectly heated hot water storage tank,
- a hot water circulation pump,
- a buffer circuit.

In order to extend the system a buffer circuit can be used to connect up to six additional mixer circuit modules VR 60 (accessories) each with two mixer circuits. The controller on the operating panel of the heat pump is used to programme the mixer circuits.

For convenient operation, you can connect the VR 90 remote control unit for the first eight heating circuits (see Chap. 4.13).

8.4.2 Energy balance controller

Energy balance control is applicable only to hydraulic systems without buffer cylinders (e.g. Hydraulic Plans 1 and 3).

For economical and fault-free operation of a heat pump, it is important to regiment the starting of the compressor. The start-up of the compressor is the point at which the highest loading occurs. With the help of the energy balance controller it is possible to minimise starts of the heat pump without compromising the comfort of a pleasant room atmosphere.

As with other weather-controlled heating controllers the controller determines a supply set target temperature by capturing the outside temperature through a heating curve. The energy balance calculation is carried out based on this supply set target temperature and the supply real temperature the difference of which is measured per minute and added up:

1 degree minute [°min] = 1 K temperature difference in the course of 1 minute

The heat pump starts up at a defined heat deficit (selectable on the controller, see Menu C4) and only switches off again when the supplied heat is equal to the heat deficit.

The larger the preset negative numerical value is, the longer the periods for which the compressor is kept running or at standstill.

8 Control system

8.4.3 Charging principle buffer cylinder

The buffer cylinder is controlled depending on the setpoint flow temperature. The heat pump heats when the temperature of the buffer cylinder head temperature sensor VF1 is smaller than the set target temperature. It heats until the temperature measured by the sensor at the bottom of the buffer cylinder, RF1, has reached the setpoint temperature plus 2 K.

In the connection to a hot water cylinder charging the buffer cylinder is also charged when the temperature of the head temperature sensor VF1 is less than 2 K higher than the set target temperature (premature reheating):
 $VF1 < T_{VL\ set} + 2\ K$.

8.4.4 Resetting to factory settings



Caution!
Inadvertent deletion of specific settings!
When you reset the control system to the default settings, specific system settings can be deleted and the system can shut down. The system does not suffer damage.

- Press both dials simultaneously for at least 5 seconds in the top-level display of the graphics display. After that you can select whether to reset only the timer programme or all values to the default settings.

8.4.5 Controller structure

The **top level display** is a **graphics display**. It is the starting point for all the available displays. This display reappears automatically if you do not actuate any of the dials for a long time when setting values.

In the following illustrations you can see all the controller screens in an overview in the form of a flow chart. You will find descriptions of the individual screens in the sections that follow them.

Controller operation is subdivided into three levels:

The Operator level is intended for the operator.

The Code level (Menus C1 - C9, D1 - D5, I1 - I5 and A1 - A9) is reserved for the specialist and is protected against unintentional adjustments by means of a code input.

The following parameters can be displayed in the individual menus, but the values cannot be changed if no password is entered, i. e. access to the code level is disabled.

In Menus C1 to C9 you can set parameters for the various functions of the heat pump for the heating circuit.

In Menus D1 to D5 you can operate and test the heat pump in diagnostic mode.

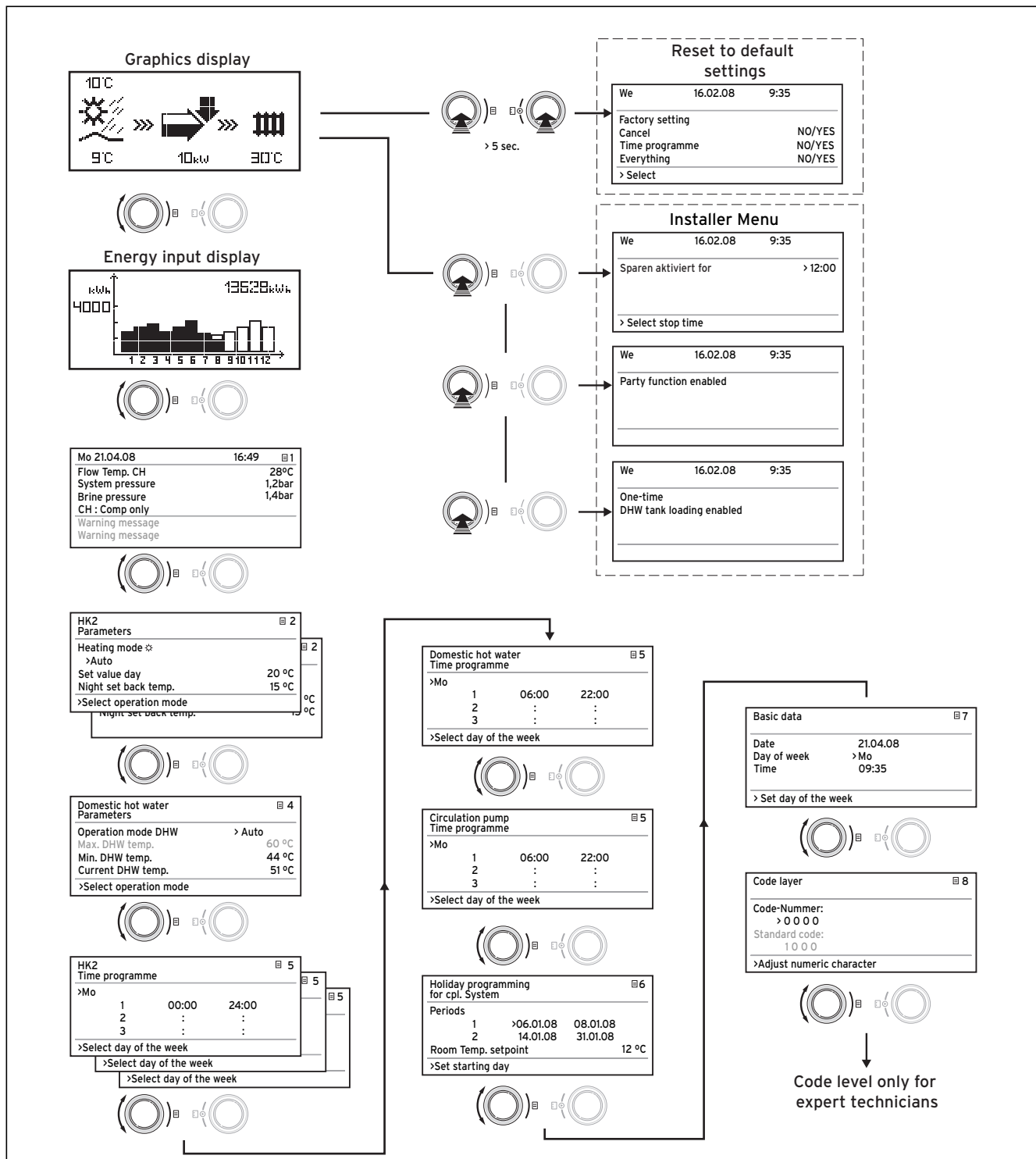
In Menus I1 to I5 you can obtain general information regarding the settings for the heat pump.

In Menus A1 to A9 you are guided through the installation menu during the initial commissioning of the heat pump.

Furthermore it is possible to display and select special functions, such as the energy saving function. To do this, press the dial once, twice, or three times, starting from the top-level display (see Fig. 8.1).

The third level contains functions for optimising the system and can only be set by a specialist using vrDIALOG 810/2 (see Chap. 8.10).

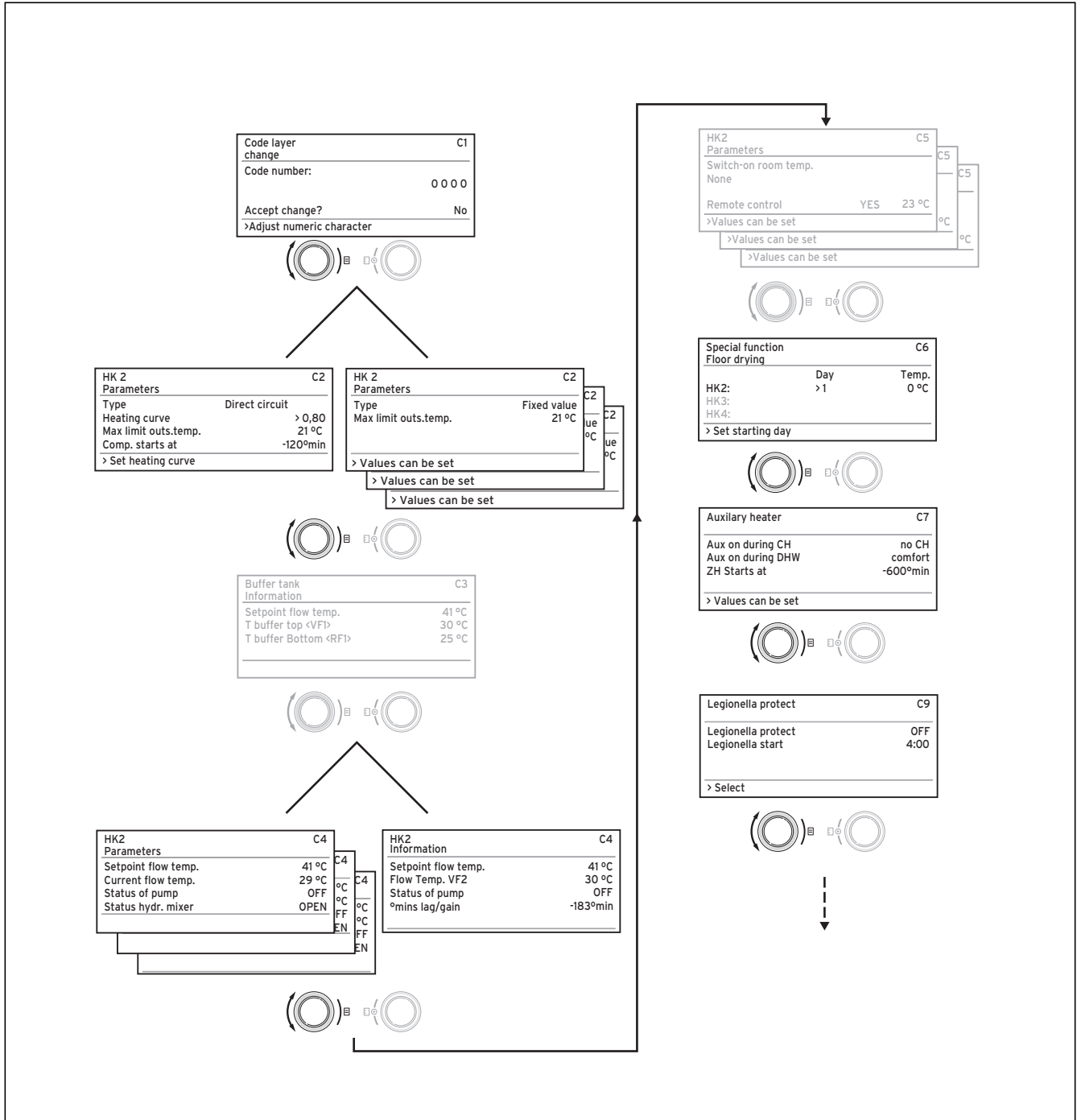
8.5 Operator level sequence diagram



*) displays in grey are dependent on the set hydraulic plan

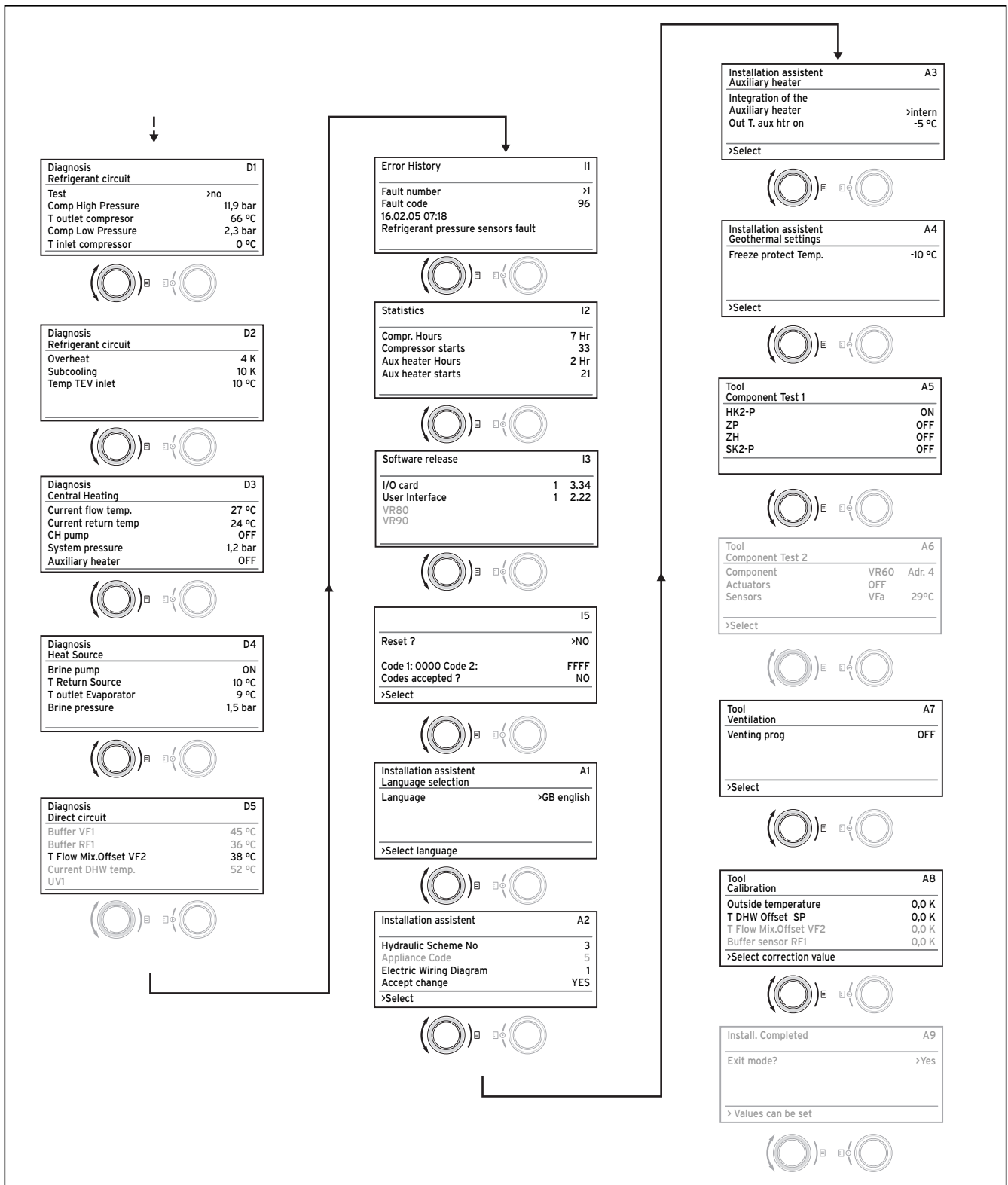
Fig. 8.1 Displays in the Operator level

8.6 Code level sequence diagram



*) displays in grey are dependent on the set hydraulic plan

Fig. 8.2 Displays in the Code level



*) displays in grey are dependent on the set hydraulic plan

Fig. 8.3 Displays in the Code level (cont.)

8 Control system

8.7 Displays in the operator level

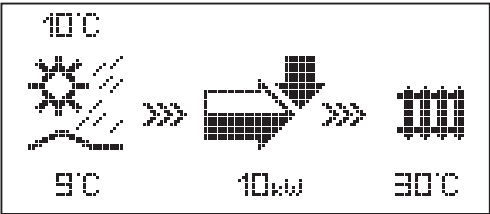

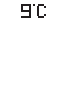






Display shown	Description
	<p>Graphics display (Top-level display) You can read off the instantaneous state of the system from this display. This is always shown if you have not actuated either of the dials for a long time while another display is showing.</p> <p> Outside temperature (here 10 °C)</p> <p> Source inlet temperature: temperature sensor T3; 9 °C in the example (see Figs. 1 and 2 in the appendix)</p> <p> Under the arrow the output of the heat source (in the example 10 KW) is displayed. The extent of darkening of the arrow graphically shows the energy efficiency of the heat pump under the given operating conditions.</p> <p>The output of the heat source must not be equated with the heating output. The heating output corresponds to approx. the output of the heat source + compressor output</p> <p> When the compressor or the electric auxiliary heating is switched on, the arrow is shown filled.</p> <p> >>> Left and right flash when the compressor is switched on and energy is consequently being taken from the environment and fed to the heating system.</p> <p> >>> Right flashes when energy is being fed to the heating system (e.g. only from the electric auxiliary heating).</p> <p> The heat pump is in the CH mode. Moreover, the heating flow temperature is displayed (in the example 30 °C).</p> <p> The symbol indicates that the domestic hot water cylinder is being heated or that the heat pump is in the ready state. The temperature in the domestic hot water cylinder is also displayed.</p>

Table 8.3 Parameters that can be set in the Operator level

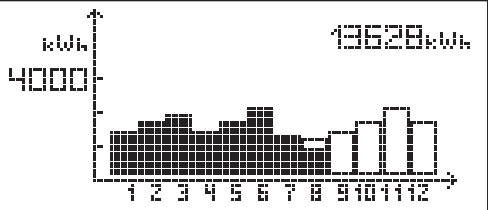



Display shown	Description																					
	<p>Energy input display Shows the energy extracted from the environment for each of the 12 months of the current year (black bar). White-filled bars represent the future months of the year; the height of the bar corresponds to the yield for the month in the previous year (comparison possible). On commissioning, the height of the bars is zero for all months, as no information is available yet. The scaling (in the example, 4000 kWh) adapts automatically to the month's highest value. Top right the total of the environmental yield since commissioning is displayed (in the example: 13628 kWh).</p>																					
<table border="1" data-bbox="140 645 635 882"> <tr> <td>Mon. 21.04.08</td> <td>16:49</td> <td> 1</td> </tr> <tr> <td>Current flow temp.</td> <td>28°C</td> <td></td> </tr> <tr> <td>CH pressure</td> <td>1.2bar</td> <td></td> </tr> <tr> <td>Brine pressure</td> <td>1.4bar</td> <td></td> </tr> <tr> <td>Heating only comp.</td> <td></td> <td></td> </tr> <tr> <td>Warning message</td> <td></td> <td></td> </tr> <tr> <td>Warning message</td> <td></td> <td></td> </tr> </table>	Mon. 21.04.08	16:49	 1	Current flow temp.	28°C		CH pressure	1.2bar		Brine pressure	1.4bar		Heating only comp.			Warning message			Warning message			<p>Day, date, time as well as flow temperature, heating system pressure and heat source pressure are displayed.</p> <p>Current flow temp.: Current flow temperature in the unit. Heating system pressure: Heating circuit pressure sensor. Pressure, heat source: Heat source pressure (Pressure sensor for heat source circuit; brine pressure) Heating only comp.: this status message provides information on the current operating status. The following are possible:</p> <ul style="list-style-type: none"> Heating only comp. Heating comp & ZH CH: ZH only CH:Comp&aux off WW:Comp&aux off WW: Comp only WW: ZH only Peak Rate: WW Peak Rate: Stand-by Acceleration mode Frost prot. Heating Frost prot. Cylind. Legionella protect. Automatic pump spin Floor drying Venting mode Fault shutdown: heating Error shutdown: heating Fault shutdown: DHW Error shutdown: DHW Malfunction Blocking error Operation interlock CH Comp overrun WW Comp overrun CH return too high <p>Under critical operating conditions a warning message is displayed in both lower display lines. These lines are empty when the operating conditions are normal.</p>
Mon. 21.04.08	16:49	 1																				
Current flow temp.	28°C																					
CH pressure	1.2bar																					
Brine pressure	1.4bar																					
Heating only comp.																						
Warning message																						
Warning message																						

Table 8.3 Settable parameters in the operator level (ctnd.)

8 Control system

Display shown	Description	Factory setting
<div style="border: 1px solid black; padding: 5px;"> <p><HK2> ☰ 2</p> <p>Parameters</p> <hr/> <p>Operating mode heating ☰</p> <p style="padding-left: 20px;">>Auto</p> <p>Set value day 22°C</p> <p>Night set back temp. 15°C</p> <hr/> <p>>Select operating mode</p> </div>	<p>The room set target temperature is the temperature to which the heating should be regulated in the operating mode "Heat" or during the time slots. The set-back temperature is the temperature to which the heating is regulated during the set-back period. An individual set-back temperature can be set for each heating circuit.</p> <p>The set operating mode determines under which conditions the assigned heating circuit or hot water circuit should be regulated.</p> <p>The following operating modes are available for heating circuits:</p> <p>Auto: The operation of the heating circuits alternates between the Heating and Energy Saving operating modes in accordance with a settable timer programme.</p> <p>Eco: The operation of the heating circuits alternates between the Heating and Off operating modes in accordance with a settable timer programme. The heating circuit is switched off during the set-back period provided the frost protection function (which depends on the outside temperature) is not activated.</p> <p>Heating: The heating circuit operates at the room set target temperature regardless of any settable timer programme.</p> <p>Energy sav: The heating circuit operates at the set-back temperature regardless of any settable timer programme.</p> <p>Off: The heating circuit is off, provided that the frost protection function (depending on the external temperature) is not activated.</p> <p>Note: Additional heating circuits are displayed, depending on the system configuration.</p>	<p>Room set target temp.: 20°C</p> <p>Set-back temp.: 15°C</p>

Table 8.3 Settable parameters in the operator level (ctnd.)






Display shown	Description	Factory setting
DHW loading  4 Parameters Operating mode WW >Auto Max. DHW temp. 60°C Min. DHW temp. 44°C Cylinder temp. REAL 51°C >Select set target temperature	For connected domestic hot water cylinders and the circulation circuit the operating modes Auto, On and Off are possible. The maximum WW temperature determines the temperature to which the domestic hot water cylinder should be heated. The minimum WW temperature determines the limit below which the domestic hot water cylinder is heated. Note: The maximum DHW temperature is only displayed when the auxiliary hot water heating is enabled (see Menu C7). Without electric auxiliary heating, the WW temperature is limited by the pressure sensor control shut-off in the cooling circuit and cannot be adjusted! Cylinder temp. REAL: Current temperature in the domestic hot water cylinder	Min. hot water temp. 44 °C
<HK2>  5 Time programme >Mon 1 00:00 24:00 2 : : 3 : : >Select weekday/block	You can set the heating times for each heating circuit in the " HK2-Timer programme " menu. Up to three heating times can be programmed per day or block. The control system operates according to the heating curve and the room setpoint temperature.	Mon - Fri 0:00 - 24:00
DHW loading  5 Time programme >Mon 1 06:00 22:00 2 : : 3 : : >Select weekday/block	You can set the times at which the domestic hot water cylinder is heated in the " WW Timer Programme " menu. Up to three times can be programmed per day or block.	Mon - Fri 6:00 - 22:00 Sat 7:30 - 23:30 Su. 7:30 - 22:00
Circulation pump  5 Time programme >Mon 1 06:00 22:00 2 : : 3 : : >Select weekday/block	You can set the times at which the circulation pump is to be operational in the " Circulation Pump Timer Programme " menu. Up to three times can be programmed per day or block. If the hot water operating mode (see menu  3) is set to "ON", the circulation pump runs continuously.	Mon - Fri 6:00 - 22:00 Sat 7:30 - 23:30 Su. 7:30 - 22:00

Table 8.3 Settable parameters in the operator level (ctnd.)

8 Control system







Display shown	Description	Factory setting						
<p>Holiday programming for cpl. System  6</p> <hr/> <p>Period of time</p> <table border="0"> <tr> <td>1</td> <td>>06.01.08</td> <td>08.01.08</td> </tr> <tr> <td>2</td> <td>14.01.08</td> <td>30.01.08</td> </tr> </table> <p>Room Temp. setpoint 12°C</p> <p>>Set start day</p>	1	>06.01.08	08.01.08	2	14.01.08	30.01.08	<p>For the controller and its connected system components it is possible to programme two holiday periods with the introduction of the date. Moreover, the desired target room temperature can be set for holidays, i.e. regardless of the preset timer programme. After the holiday time has elapsed, the controller automatically goes back to the previously selected operating mode. The holiday program can be activated only in auto and eco operating mode. Connected cylinder charging circuits or circulation pump circuits are automatically switched to OFF operating mode during the holiday time program.</p>	<p>Period 1: 01.01.2003 - 01.01.2003</p> <p>Period 2: 01.01.2003 - 01.01.2003</p> <p>Room Temp. setpoint 15 °C</p>
1	>06.01.08	08.01.08						
2	14.01.08	30.01.08						
<p>Basic data  7</p> <hr/> <p>Date 21.04.08</p> <p>Day of week Mo</p> <p>Time 09:35</p> <hr/> <p>>Settable values</p>	<p>You can set the current date, the day of the week and the current time, if DCF radio clock reception is not possible, in the "Basic Data" menu. These settings apply to all connected system components.</p>							
<p>Code layer  8</p> <hr/> <p>Code number: >0 0 0 0</p> <p>Standard code: 1 0 0 0</p> <hr/> <p>>Set figures</p>	<p>To access the Code layer (Technician level), enter the appropriate Code (standard code 1000) and press the right hand dial  .</p> <p>To view set values without entering the code, you must press the  dial once. You can then view all parameters of the code level by turning the dial  but not change them.</p> <p>Security function: Your code entry is reset again 15 minutes after your last change in the Code level (actuation of one of the dials). To gain entry to the Code level again after that, you will have to enter the code once more.</p>	1000						

Table 8.3 Settable parameters in the operator level (ctnd.)

8.8 Displays in the code layer

The Code layer has different areas in which you can change parameters or merely view them, depending on the context. The context can always be recognised from the menu name.

Menu C: Set parameters for the heating system

Menu D: Perform diagnostics

Menu I: Display general information

Menu A: Installation assistant

Your code entry is reset again 15 minutes after your last change in the Code level (actuation of one of the dials).

To gain entry to the Code level again after that, you will have to enter the code once more.

Display shown	Description	Factory setting
Menu C: Set parameters for the heating system	In Menus C1 to C9 you can set the parameters for the various functions of the heat pump.	
Code layer change C1 Code number: >0 0 0 0 Accept change? No >Set figures	Menu for changing the code number. You can replace the standard code 1000 with a user-defined four-digit code here. Note: If you change the code, make a note of the new code, otherwise you will not be able to make any more changes in the code level!	1000
<HK2> Parameters C2 Type direct circuit Heating curve 0.80 Max limit outs.temp. >21°C Comp. starts at -120°min >Select temperature	Type: Direct circuit (for direct hydraulics), Mixer circuit (for buffered hydraulics), Fixed value (can only be set via vrDIALOG 810/2). Heating curve: Adjustable heating curve (not with fixed value). Maximum limit outside temperature Temperature limit for switching off heating mode (summer function). Comp. starts at: Set the degree minutes until compressor start (only with direct hydraulics)	0.3 22°C
<HK2> Parameters C2 Type Fixed value Max limit outs.temp. >21°C >Select temperature	This display appears if "Fixed value" has been set via vrDIALOG 810/2. If a VR 60 is connected, this menu appears several times (for each heating circuit).	
Buffer tank Information C3 Setpoint flow temp. 41°C T buffer top <VF1> 29°C T Buff.Bot OffsetRF1 25°C	This display is only shown when a buffer cylinder is used (e.g. Hydraulic Plans 2 and 4). Setpoint flow temp.: Target flow temperature T buffer top VF1: Temperature at the buffer cylinder top sensor VF1 T buffer bottom RF1: Temperature at the buffer cylinder bottom sensor RF1 (see Section 8.4.3)	

Table 8.4 Parameters that can be set in the Code level

8 Control system

Display shown	Description	Factory setting										
<table border="1"> <tr> <td><HK2> Information</td> <td>C4</td> </tr> <tr> <td>Setpoint flow temp.</td> <td>41°C</td> </tr> <tr> <td>Flow temp. VF2</td> <td>30°C</td> </tr> <tr> <td>Status of pump</td> <td>Off</td> </tr> <tr> <td>°mins lag/gain</td> <td>-183°min</td> </tr> </table>	<HK2> Information	C4	Setpoint flow temp.	41°C	Flow temp. VF2	30°C	Status of pump	Off	°mins lag/gain	-183°min	<p>The lower menu is only displayed when a buffer cylinder is used (e.g. Hydraulic Plans 2 and 4, and possibly on more than one occasion when a VR 60 is used).</p> <p>In the direct heating mode (e.g. Hydraulic Plans 1 and 3), the upper display is shown.</p> <p>Setpoint flow temp.: Setpoint flow temperature for the heating circuit</p> <p>Flow temp. VF2: Current flow temperature VF2.</p> <p>Energy integral: The energy integral is the cumulative difference between the VF2 flow temperature and the target flow temperature per minute. The heat pump starts when the energy deficit is at a defined level (see Energy balance control, Chap. 8.4.2)</p> <p>Status of pump: indicates whether the pump is turned on or off (ON/OFF).</p> <p>Status hydr. mixer: Caution! The OPEN/CLOSED indication describes the direction in which the control system is driving the mixer. If the mixer is not activated, OFF appears.</p> <p>If a VR 60 is connected, the lower menu appears several times (for each heating circuit).</p>	
<HK2> Information	C4											
Setpoint flow temp.	41°C											
Flow temp. VF2	30°C											
Status of pump	Off											
°mins lag/gain	-183°min											
<table border="1"> <tr> <td><HK2> Parameters</td> <td>C4</td> </tr> <tr> <td>Setpoint flow temp.</td> <td>41°C</td> </tr> <tr> <td>Flow temp. VF2</td> <td>29°C</td> </tr> <tr> <td>Status of pump</td> <td>Off</td> </tr> <tr> <td>Status hydr. mixer</td> <td>Open</td> </tr> </table>	<HK2> Parameters	C4	Setpoint flow temp.	41°C	Flow temp. VF2	29°C	Status of pump	Off	Status hydr. mixer	Open		
<HK2> Parameters	C4											
Setpoint flow temp.	41°C											
Flow temp. VF2	29°C											
Status of pump	Off											
Status hydr. mixer	Open											
<table border="1"> <tr> <td><HK2> Parameters</td> <td>C5</td> </tr> <tr> <td>Switch-on room temp.</td> <td>>None</td> </tr> <tr> <td>Remote control: Yes</td> <td>23°C</td> </tr> <tr> <td>>Select type</td> <td></td> </tr> </table>	<HK2> Parameters	C5	Switch-on room temp.	>None	Remote control: Yes	23°C	>Select type		<p>Only when using the VR 90 / VR 80 remote control:</p> <p>Switch-on room temperature: None = Room temperature from the remote control is not taken into account. Switch on = In addition to the selected heating curve, the heating flow temperature is also affected by the difference between the setpoint and current room temperatures. Thermostat = The room temperature from the VR 90 is used directly for controlling - i.e., the function of a room thermostat. Remote control: Automatically indicates whether a VR 90 remote control unit is connected (YES/NO). If YES, the room temperature measured by the VR 90 is also displayed.</p> <p>This menu occasionally appears on more than one occasion (for each heating circuit).</p>	None		
<HK2> Parameters	C5											
Switch-on room temp.	>None											
Remote control: Yes	23°C											
>Select type												
<table border="1"> <tr> <td>Special function Floor drying</td> <td>C6</td> </tr> <tr> <td>HK2: Day</td> <td>Temp.</td> </tr> <tr> <td>HK3: >1</td> <td>0°C</td> </tr> <tr> <td>HK4:</td> <td></td> </tr> <tr> <td>>Set starting day</td> <td></td> </tr> </table>	Special function Floor drying	C6	HK2: Day	Temp.	HK3: >1	0°C	HK4:		>Set starting day		<p>You can select the starting day for floor drying; the flow temperature setpoint is automatically called up in accordance with the floor drying function (daily values 25/30/35 °C), see Chap. 8.3 "Settable auxiliary functions".</p> <p>It takes approx. 20 seconds for the actual value to be displayed!</p> <p>Deactivating the floor drying function: set to Day "0".</p> <p>Depending on the configuration of the heating system, the display will indicate for other heating circuits if required.</p>	0
Special function Floor drying	C6											
HK2: Day	Temp.											
HK3: >1	0°C											
HK4:												
>Set starting day												

Table 8.4 Parameters that can be set in the Code level (cont.)

Display shown	Description	Factory setting
Auxiliary heater C7 <hr/> Aux on during CH no CH Aux on during DHW comfort CH start at -600°min <hr/> >Settable values	<p>Aux on during CH no CH: CH blocked. comfort CH enabled, dependent on Out T. aux htr on and °mins lag/gain. CH only: Heating mode by means of auxiliary heating only, e.g. in emergency operation</p> <p>Aux on during DHW no CH: CH blocked comfort Auxiliary heating supplies the temperature level that the compressor cannot provide (approx. > 58 °C cylinder temperature) CH only: DHW heating by means of auxiliary heating only, e.g. in emergency operation (if "no CH" was previously activated, a max. DHW temp. of approx. 58 °C applies; if "CH" was activated, the max. DHW temp set in C6 applies CH start at: Setting the degree minutes until the auxiliary heating starts, added to the degree minutes for compressor start. Example: -600°min plus -120°min => start at -720°min.</p> <p>Out T. aux htr on: The auxiliary heating is only enabled for post-heating in heating mode below this temperature (can be set in Menu A3).</p>	no CH no CH
Legionella protect Parameters C9 <hr/> Legionella protect Off Legionella start 04:00 <hr/> >Select	<p>Legionella protect: OFF/Mo/Tu/We/Th/Fr/Sa/Su Legionella start: The preset time of day determines when the anti-legionella function will start.</p> <p>The anti-legionella function is carried out by the auxiliary heating on the preset day of the week, at the preset time, if the auxiliary heating has been activated.</p> <p>For this purpose, the controller sets the flow set-point to 76 °C/74 °C (2K hysteresis). The anti-legionella function is terminated when the current flow temperature at the cylinder has reached 73 °C for a duration of at least 30 min, or after 90 minutes if 73 °C is not reached (e.g., if hot water is drawn during this period).</p>	Off 04:00

Table 8.4 Parameters that can be set in the Code level (cont.)

8 Control system

Display shown	Description	Factory setting												
Menu D: Perform diagnostics	In Menus D1 to D5 you can operate and test the heat pump in diagnostic mode. The diagnostic menu cannot be exited with any setting apart from "Test = no" (Menu D1). An auto reset occurs 15 minutes after the last button is actuated. In the diagnostic mode, the pre-, minimum and run-on times of the compressor, pumps and other components are not heeded! Malfunctions can occur if the diagnostic mode is frequently turned on and off.													
<table border="1"> <tr> <td>diagnosis refrigerant circuit</td> <td>D1</td> </tr> <tr> <td>Test</td> <td>>no</td> </tr> <tr> <td>Comp High Pressure</td> <td>11.9 bar</td> </tr> <tr> <td>T outlet compressor</td> <td>66°C</td> </tr> <tr> <td>Comp. low pressure</td> <td>2.3 bar</td> </tr> <tr> <td>T inlet compressor</td> <td>0°C</td> </tr> </table>	diagnosis refrigerant circuit	D1	Test	>no	Comp High Pressure	11.9 bar	T outlet compressor	66°C	Comp. low pressure	2.3 bar	T inlet compressor	0°C	<p>Test: no/off/heating mode/hot water*. Set the operating mode for the heat pump in order to test its behaviour.</p> <p>Comp. high pressure: Display of coolant pressure Compressor output.</p> <p>T outlet compressor (compressor output, high pressure): Display of temperature sensor T1.*</p> <p>Comp. low pressure: Display of coolant pressure Compressor input.</p> <p>T inlet compressor (compressor input, intake side): Display of temperature sensor T2.*</p>	–
diagnosis refrigerant circuit	D1													
Test	>no													
Comp High Pressure	11.9 bar													
T outlet compressor	66°C													
Comp. low pressure	2.3 bar													
T inlet compressor	0°C													
<table border="1"> <tr> <td>diagnosis refrigerant circuit</td> <td>D2</td> </tr> <tr> <td>overheat</td> <td>4K</td> </tr> <tr> <td>Subcooling</td> <td>10K</td> </tr> <tr> <td>Temp TEV inlet</td> <td>10°C</td> </tr> </table>	diagnosis refrigerant circuit	D2	overheat	4K	Subcooling	10K	Temp TEV inlet	10°C	<p>Superheating of the coolant calculated from T2* and low pressure sensor. Only displayed when the compressor is operating.</p> <p>Subcooling of the coolant calculated from T4* and high pressure sensor. Only displayed when the compressor is operating.</p> <p>Temp TEV inlet: Temperature at the inlet of the thermal expansion valve*</p>	–				
diagnosis refrigerant circuit	D2													
overheat	4K													
Subcooling	10K													
Temp TEV inlet	10°C													
<table border="1"> <tr> <td>diagnosis Central Heating</td> <td>D3</td> </tr> <tr> <td>Current flow temp.</td> <td>27°C</td> </tr> <tr> <td>Current return temp</td> <td>24°C</td> </tr> <tr> <td>CH pump</td> <td>Off</td> </tr> <tr> <td>CH pressure</td> <td>1.2bar</td> </tr> <tr> <td>Auxiliary heater</td> <td>Off</td> </tr> </table>	diagnosis Central Heating	D3	Current flow temp.	27°C	Current return temp	24°C	CH pump	Off	CH pressure	1.2bar	Auxiliary heater	Off	<p>Current flow temperature T6.*</p> <p>Current return temperature T5.*</p> <p>Status of CH pump: ON/OFF</p> <p>CH pressure (heating circuit pressure sensor).</p> <p>Status of auxiliary heating: ON/OFF</p>	–
diagnosis Central Heating	D3													
Current flow temp.	27°C													
Current return temp	24°C													
CH pump	Off													
CH pressure	1.2bar													
Auxiliary heater	Off													
<table border="1"> <tr> <td>diagnosis Heat Source</td> <td>D4</td> </tr> <tr> <td>Brine pump</td> <td>On</td> </tr> <tr> <td>T Return Source</td> <td>10°C</td> </tr> <tr> <td>T outlet Evaporator</td> <td>9°C</td> </tr> <tr> <td>Brine pressure</td> <td>1.5 bar</td> </tr> </table>	diagnosis Heat Source	D4	Brine pump	On	T Return Source	10°C	T outlet Evaporator	9°C	Brine pressure	1.5 bar	<p>Status of brine pump: ON/OFF</p> <p>T return source: Temperature of the heat source, T3.*</p> <p>T outlet evaporator: Heat source temperature at the outlet of the heat pump, T8.* VWS only:</p> <p>Brine pressure (Pressure sensor for heat source circuit; brine pressure)</p>	–		
diagnosis Heat Source	D4													
Brine pump	On													
T Return Source	10°C													
T outlet Evaporator	9°C													
Brine pressure	1.5 bar													

Table 8.4 Parameters that can be set in the Code level (cont.)

* see Figs. 1 and 2 in the appendix

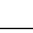
Display shown	Description	Factory setting														
<table border="1"> <tr> <td>diagnosis</td> <td>D5</td> </tr> <tr> <td>CH circuit</td> <td></td> </tr> <tr> <td>Buffer VF1</td> <td>45°C</td> </tr> <tr> <td>Buffer RF1</td> <td>36°C</td> </tr> <tr> <td>T Flow Mix.OffsetVF2</td> <td>38°C</td> </tr> <tr> <td>Cylinder temp. REAL</td> <td>52°C</td> </tr> <tr> <td><UV1></td> <td>heat zone</td> </tr> </table>	diagnosis	D5	CH circuit		Buffer VF1	45°C	Buffer RF1	36°C	T Flow Mix.OffsetVF2	38°C	Cylinder temp. REAL	52°C	<UV1>	heat zone	<p>Buffer VF1: Buffer cylinder top temperature sensor Buffer RF1: Buffer cylinder bottom temperature sensor Flow sensor VF2: Current CH flow temperature Cylinder temp. SP: Temperature in the domestic hot water cylinder. UV1: = Status of 3-way valve (HK = heating circuit, WW = hot water)</p>	
diagnosis	D5															
CH circuit																
Buffer VF1	45°C															
Buffer RF1	36°C															
T Flow Mix.OffsetVF2	38°C															
Cylinder temp. REAL	52°C															
<UV1>	heat zone															
Menu I: Display general information	In Menus I1 to I4 you can obtain information regarding the settings for the heat pump.															
<table border="1"> <tr> <td>Error History</td> <td>I1</td> </tr> <tr> <td>Fault number</td> <td>>1</td> </tr> <tr> <td>Fault code</td> <td>96</td> </tr> <tr> <td>16.02.08 07:18</td> <td></td> </tr> <tr> <td>Error CH circuit</td> <td></td> </tr> <tr> <td>Error, coolant pressure sensor</td> <td></td> </tr> </table>	Error History	I1	Fault number	>1	Fault code	96	16.02.08 07:18		Error CH circuit		Error, coolant pressure sensor		<p>Display of the error memory, showing the last 10 errors in the order they appeared. The error number with error code, the date/time of the occurrence and a short description of the error can all be read. The error number shows the order in which the errors occurred. The error code identifies the error. You will find a listing in Chap. 10. Turning the  dial shows the next error.</p>	–		
Error History	I1															
Fault number	>1															
Fault code	96															
16.02.08 07:18																
Error CH circuit																
Error, coolant pressure sensor																
<table border="1"> <tr> <td>Statistics</td> <td>I2</td> </tr> <tr> <td>Compressor hours</td> <td>7 hours</td> </tr> <tr> <td>Compressor starts</td> <td>33</td> </tr> <tr> <td>Aux. heating hours</td> <td>2 hours</td> </tr> <tr> <td>Aux. heating starts</td> <td>21</td> </tr> </table>	Statistics	I2	Compressor hours	7 hours	Compressor starts	33	Aux. heating hours	2 hours	Aux. heating starts	21	<p>Compressor hours: Compressor operating hours to date. Compressor starts: Number of compressor starts. Aux. heating hours: Auxiliary heating operating hours to date. Aux. heating starts: Number of auxiliary heating starts.</p>	–				
Statistics	I2															
Compressor hours	7 hours															
Compressor starts	33															
Aux. heating hours	2 hours															
Aux. heating starts	21															
<table border="1"> <tr> <td>Software release</td> <td>I3</td> </tr> <tr> <td>I/O card</td> <td>1 3.34</td> </tr> <tr> <td>User Interface</td> <td>1 2.22</td> </tr> <tr> <td>VR 80</td> <td></td> </tr> <tr> <td>VR 90</td> <td></td> </tr> </table>	Software release	I3	I/O card	1 3.34	User Interface	1 2.22	VR 80		VR 90		<p>Software release I/O card (PCB in the heat pump). Software release of the User Interface (display in the operating console). VR 80: displays the software release when a VR 80 is connected. VR 90: displays the software release when a VR 90 is connected.</p>	–				
Software release	I3															
I/O card	1 3.34															
User Interface	1 2.22															
VR 80																
VR 90																
<table border="1"> <tr> <td></td> <td>I4</td> </tr> <tr> <td>Reset?</td> <td>No</td> </tr> <tr> <td>Code 1: 0000</td> <td>Code 2: FFFF</td> </tr> <tr> <td>Codes accepted ?</td> <td>No</td> </tr> </table>		I4	Reset?	No	Code 1: 0000	Code 2: FFFF	Codes accepted ?	No	<p>Reset: Reset of fault-induced shutdowns; all running processes are immediately interrupted; the heat pump starts up again. Code 1/Code 2: No function! Values must not be changed!</p>	0000; FFFF No						
	I4															
Reset?	No															
Code 1: 0000	Code 2: FFFF															
Codes accepted ?	No															

Table 8.4 Parameters that can be set in the Code level (cont.)

* see Figs. 1 and 2 in the appendix

8 Control system

Display shown	Description	Factory setting																				
Menu A: Installation assistant	You will be guided through the Installation Assistant, Menus A1 and A2, during the initial commissioning of the heat pump. The Installation Assistant appears automatically during initial commissioning.																					
<table border="1"> <tr> <td>Installation</td> <td>A1</td> </tr> <tr> <td>Language selection</td> <td></td> </tr> <tr> <td>Language</td> <td>>GB English</td> </tr> <tr> <td colspan="2"> </td> </tr> <tr> <td colspan="2">>Select</td> </tr> </table>	Installation	A1	Language selection		Language	>GB English			>Select		<p>Language : Set the local language</p> <p>During the initial installation the controller always starts with this menu (Installation Assistant).</p>											
Installation	A1																					
Language selection																						
Language	>GB English																					
>Select																						
<table border="1"> <tr> <td>Installation assistant</td> <td>A2</td> </tr> <tr> <td>Hydraulic scheme</td> <td>3</td> </tr> <tr> <td>Heat pump type</td> <td>5</td> </tr> <tr> <td>Electric Wiring Diagram</td> <td>1</td> </tr> <tr> <td>Accept change</td> <td>Yes</td> </tr> <tr> <td colspan="2">>Select</td> </tr> </table>	Installation assistant	A2	Hydraulic scheme	3	Heat pump type	5	Electric Wiring Diagram	1	Accept change	Yes	>Select		<p>The hydraulic and electroplans must be set by the installer during initial commissioning. The heat pump type has already been set at the factory and may not be changed!</p> <p>Hydraulic plan: 1 = no buffer cylinder, no DHW cylinder 2 = with buffer cylinder, no DHW cylinder 3 = no buffer cylinder, with DHW cylinder 4 = with buffer cylinder, with DHW cylinder See Figs. 6.8 to 6.11.</p> <p>Heat pump type:</p> <table border="1"> <thead> <tr> <th>Type</th> <th>Description</th> </tr> </thead> <tbody> <tr> <td>29</td> <td>VWS 61/2 230 V</td> </tr> <tr> <td>30</td> <td>VWS 81/2 230 V</td> </tr> <tr> <td>31</td> <td>VWS 101/2 230 V</td> </tr> </tbody> </table> <p>Electroplan: 1 = all on the high tariff (see Fig. 6.2). 2 = low tariff for the compressor (see Fig. 6.3). 3 = low tariff for the compressor and electric auxiliary heating (see Fig. 6.4).</p> <p>Accept change: Yes/No; "Yes" means that all the set values will be saved.</p>	Type	Description	29	VWS 61/2 230 V	30	VWS 81/2 230 V	31	VWS 101/2 230 V	
Installation assistant	A2																					
Hydraulic scheme	3																					
Heat pump type	5																					
Electric Wiring Diagram	1																					
Accept change	Yes																					
>Select																						
Type	Description																					
29	VWS 61/2 230 V																					
30	VWS 81/2 230 V																					
31	VWS 101/2 230 V																					

Table 8.4 Parameters that can be set in the Code level (cont.)

Display shown	Description	Factory setting
Installation assistant A3 Auxiliary heater integration of the Auxiliary heater DHW+CH Out T. aux htr on -5 °C >Settable values	Auxiliary heating: Determines whether, and where, the auxiliary heating is hydraulically connected: - internal (electric auxiliary heating in the heat pump) - WW + HK: external auxiliary heating available for hot water and the heating circuit - no auxiliary heating (no frost protection during emergency operation) - DHW: external auxiliary heating available only for hot water The controller will only activate the auxiliary heating if it is enabled in Menu C7 "Auxiliary heating" and the following condition is satisfied: Out T. aux htr on: The auxiliary heating is only enabled for post-heating in the heating mode if the outside temperature is below this value.	intern -5°C
Installation assistant A4 Geothermal settings freeze protect Temp. -10 °C >Settable values	Freeze protect temp.: Minimum permissible heat source outlet temperature. If the temperature falls below this value, error message 21/22 or 61/62 appears and the compressor switches off.	-10 °C
Tool A5 Component Test 1 <HK2-P> On <ZP> Off <ZH> Off <SK2-P> Off	You can check the heat pump actuators with the component test. This intervention lasts for a maximum of 20 minutes and ignores current controller inputs during this time. Afterwards, the heat pump reverts to its previous operating condition. Note: If the compressor is activated, the CH pump and the brine pump or well pump will also be turned on automatically. UV1 = DHW: Changeover valve in "DHW loading" position. UV1 = HK: Changeover valve in "CH mode" position.	Off



Table 8.4 Parameters that can be set in the Code level (cont.)

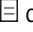
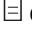
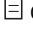
8 Control system

Display shown	Description	Factory setting																		
<table border="1"> <tr> <td>Tool</td> <td colspan="2">A6</td> </tr> <tr> <td>Component Test 2</td> <td colspan="2"></td> </tr> <tr> <td>Component</td> <td>VR 60</td> <td>Addr. 4</td> </tr> <tr> <td>Actuators</td> <td></td> <td>Off</td> </tr> <tr> <td>Sensors</td> <td>VF a</td> <td>29 °C</td> </tr> <tr> <td>Select</td> <td colspan="2"></td> </tr> </table>	Tool	A6		Component Test 2			Component	VR 60	Addr. 4	Actuators		Off	Sensors	VF a	29 °C	Select			<p>The display only appears is several heating circuits and at least one VR 60 are installed.</p> <p>You can check the actuators for the connected accessories with the component test 2. This intervention lasts for a maximum of 20 minutes and ignores current controller inputs during this time. Afterwards, the heat pump reverts to its previous operating condition.</p>	
Tool	A6																			
Component Test 2																				
Component	VR 60	Addr. 4																		
Actuators		Off																		
Sensors	VF a	29 °C																		
Select																				
<table border="1"> <tr> <td>Tool</td> <td colspan="2">A7</td> </tr> <tr> <td>Ventilation</td> <td colspan="2"></td> </tr> <tr> <td>Venting prog</td> <td colspan="2">Off</td> </tr> </table>	Tool	A7		Ventilation			Venting prog	Off		<p>Venting prog.: The brine pump alternates between 50 minutes operating and 10 minutes off.</p> <p>24 hours of intermittent operation of the brine pump and the circulation pump, and also UV1 and the cooling UV/mixer if necessary.</p>	–									
Tool	A7																			
Ventilation																				
Venting prog	Off																			
<table border="1"> <tr> <td>Tool</td> <td colspan="2">A8</td> </tr> <tr> <td>Outside temperature</td> <td>0.0 K</td> <td></td> </tr> <tr> <td>DHW sensor SP</td> <td>0.0 K</td> <td></td> </tr> <tr> <td>T Flow Mix.OffsetVF2</td> <td>0.0 K</td> <td></td> </tr> <tr> <td>Buffer sensor RF1</td> <td>0.0 K</td> <td></td> </tr> </table>	Tool	A8		Outside temperature	0.0 K		DHW sensor SP	0.0 K		T Flow Mix.OffsetVF2	0.0 K		Buffer sensor RF1	0.0 K		<p>Manual adjustment of the displayed temperatures. Offset adjustment range</p> <p>Outside temperature: +/- 5 K, step size 1.0 K. all others: +/- 3 K, step size 0.5 K.</p> <p>Flow sensor VF2 temp. is always displayed. Internal sensors can only be changed via vrDIALOG; buffer sensors and cylinder sensors only if the corresponding hydraulics are installed.</p> <p>Turn the right hand dial to display more sensors. Setting the display contrast (0 - 25).</p>	<p>0 K 0 K 0 K 0 K</p> <p>16 (Display)</p>			
Tool	A8																			
Outside temperature	0.0 K																			
DHW sensor SP	0.0 K																			
T Flow Mix.OffsetVF2	0.0 K																			
Buffer sensor RF1	0.0 K																			
<table border="1"> <tr> <td>Installation completed</td> <td colspan="2">A9</td> </tr> <tr> <td>Exit mode?</td> <td colspan="2">>yes</td> </tr> <tr> <td>>Settable values</td> <td colspan="2"></td> </tr> </table>	Installation completed	A9		Exit mode?	>yes		>Settable values			<p>Note regarding initial commissioning:</p> <p>Do not set "Exit mode" to "YES" unless you are sure that everything has been set correctly. Once you have confirmed with "YES", the controller switches to the graphics display. The heat pump starts under its autonomous control system.</p> <p>This menu will not appear again once YES has been selected.</p>										
Installation completed	A9																			
Exit mode?	>yes																			
>Settable values																				


Table 8.4 Parameters that can be set in the Code level (cont.)

8.9 Installer Menu

Special functions can be selected only from the basic display. To do so, press the left hand dial . To change the parameter, you must turn the  dial. The following special functions can be selected:

- Energy saving function: Press  dial once.
- Party function: Press  dial twice.
- One-time charging: Press  dial 3 x.

To activate one of the functions, you merely have to select it. In the energy saving function it is additionally necessary to enter the time until which the energy saving function (regulation to set-back temperature) is to apply.

The basic display appears either after the function has elapsed (reaching the time) or by pressing the dial again. .

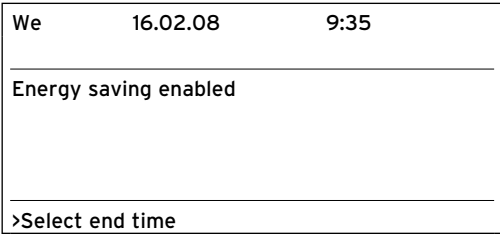
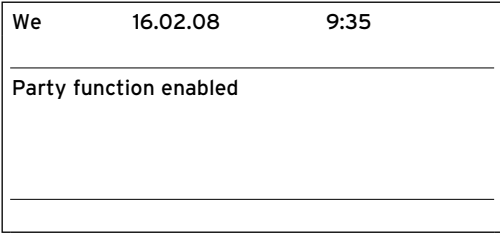
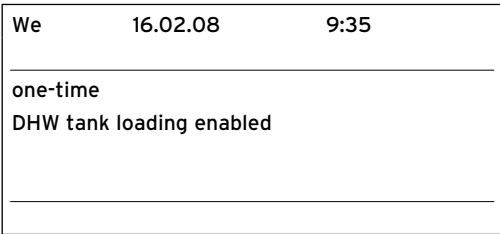
Display shown	Description
	<p>Saving function: With the saving function you can set back the heating times for a settable period.</p> <p>Enter the time for the end of the saving function in the format hh:mm (hour:minute).</p>
	<p>Party function: With the party function you can set the heating and hot water times beyond the next switch off time on to the next start of heating. The party function can only be used for the heating circuits or hot water circuits for which the operating mode "Auto" or "ECO" is set.</p>
	<p>One-time charging: This function allows you to charge the hot water cylinder once, regardless of the current time program.</p>

Table 8.5 Special functions

8.10 Parameters that can be set with vrDIALOG 810/2

Using its computer-supported graphics visualisation and configuration, vrDIALOG 810/2 (eBUS) enables you to optimise heating appliances and control systems and thus make use of their energy saving potential. Both of them enable you to create a visual impression of the processes in your control system and influence them at any time. The programmes enable you to record and graphically prepare system data, to load device configurations and change and save them online and to save information in the form of reports.

Using vrDIALOG 810/2, you can make all the settings for the heat pump as well as other settings for optimisation. Settings via vrDIALOG may only be performed by an experienced specialist.

Parameters	Description	Factory setting
Calibration of temperature sensors	Internal sensors can only be calibrated via vrDIALOG 810/2.	
Change name: CH circuit	A maximum of ten letters are available per heating circuit for this purpose. A maximum of ten letters are available per heating circuit for this purpose. The selected names are saved automatically and displayed on the corresponding displays. Depending on the system configuration, the names of additional heating circuits appear in the display.	HK2: <HK2>
Software version	The status provides information about the operating state of the heat pump software.	–
Elec Tariff switch	Status of power interruption due to activation of the EVU contact (blocking initiated by the power company): "no" = no blocking, "yes" = blocking active, activation by means of e.g. ripple control signal/receiver.	–
Starting current limiter	Soft start status: ON/OFF	–
Fixed value day Fixed value night	This display only appears if the setting Type "Fixed value" has been selected via vrDIALOG. Here the flow temperature is controlled around a fixed setpoint, independently of the outside temperature. Fixed value day: Flow setpoint temperature (e.g. for manually set screed floor drying). Fixed value night: Flow setpoint temperature at night.	35 °C 30 °C
Type HK2	Setting the heating circuit type: - Direct circuit: (Hydraulic plan 3) Heating mode runs with the setpoint flow temperature determined by the weather-controlled energy balance controller. - Mixer circuit: (Hydraulic plan 4) Heating mode runs with the setpoint flow temperature determined by the weather-controlled controller. - Fixed value: Fixed settings for the setpoint flow temperatures for day and night; see Menu C5.	direct circuit

Table 8.7 Parameters that can be set with vrDIALOG 810/2

8 Control system

Parameters	Description	Factory setting
Minimum flow temp. Maximum flow temp.	Minimum/Maximum temperature: Setting the limiting temperatures (min. and max.) that the heating circuit can request. Together with the maximum temperature, the value for the floor protection switching is also calculated (max. HK temp. + Compr. hysteresis + 2K).	15°C 43 °C
Pre-loading time	Pre-loading time: To take account of the inertia of the underfloor heating, you can manually set a pre-heat before the start of the programmed heating time.	0 hrs.
CH run in HW mode 20r.p.m. Max DHW load time 40r.p.m.	Max. heating time = Maximum time after which the cylinder heating operation switches back on when there is still a parallel demand present for the cylinder. Max. DHW load time: = Time after which the operation switches from cylinder loading to heating mode, when there is a parallel demand for heating present.	20 min 40 mins
Compressor hyster.	Compressor hysteresis (only for hydraulic plans 1 and 3): Forced switch-on of the compressor when: Current flow temperature < Setpoint flow temperature - Hysteresis Forced switch-off of the compressor when: Current flow temperature > Setpoint flow temperature + Hysteresis	7K
Compressor starts	Comp. starts/h: max. allowable no. of compressor starts per hour. (3-5).	3
Max. CH return temp. HK 46°C	Max. CH return temp. HK: Sets the return temperature limits for compressor operation. This function should prevent unnecessary short-term operation of the compressor.	46°C
Delta T. T3-T7	Delta T. T3-T7: Max. permissible difference between the heat source inlet and outlet temperatures. An error message appears and the compressor switches off if it is exceeded. The function is deactivated if 20K is set.	20K
Brine pump pre-run	Brine pump pre-run: Interval by which the brine pump switches on ahead of the compressor.	1 min
Temperature fault detection after	Temp. fault detection: If the setpoint for the flow temperature of a heating circuit is not reached after the preset time, a corresponding error message appears in the display and the error is stored in the error list (display of the last ten errors). This function can be switched on or off.	Off
Next service due	Quick test. With "Next service due" ON, the time intervals for the energy balance integral are changed from 1 minute to 1 second and the energy balancing is thus accelerated by a factor of 60. The minimum run time of 4 minutes and the minimum off time of 5 minutes for the compressor are unchanged.	-

Table 8.7 Parameters that can be set with vrDIALOG 810/2
(cont.)

9 Inspection and maintenance

9.1 Notes for maintenance

An annual inspection/maintenance of the unit by a specialist is a prerequisite for continuing operational safety, reliability and a long working life.



Danger!
Inspection, maintenance and repair work should only be undertaken by an approved heating installation company. Inspections / Maintenance work not carried out can result in damage to property and personal injury.



Danger!
Risk of fatal electric shock from touching live connections! Before commencing work on the heat pump, disconnect the power supply (circuit breaker) and secure it against being switched on again inadvertently.

Only genuine Vaillant spare parts may be used for inspections, maintenance and repair work to ensure the long-term availability of all functions of your Vaillant appliance and to prevent the approved series condition from being changed.

Any spare parts which might be required are listed in the relevant current spare parts catalogues. Information can be obtained from Vaillant Customer Service Centres.

9.2 Carrying out maintenance work



Danger!
Risk of fatal electric shock from touching live connections! Before commencing work on the heat pump, disconnect the power supply (circuit breaker) and secure it against being switched on again inadvertently.

The heat pump is engineered in such a way that only a few maintenance tasks need to be carried out:

- Manually actuate the safety assemblies in the brine and heating circuits at regular intervals.
- Check the dirt filter in the brine circuit regularly.
- Check the pressures in the brine and heating circuits regularly.



Danger!
Risk of injury!
The heat pump may only be put into operation again after all the cladding sections have been fitted.

9.4 Test operation and restarting



Danger!
Risk of injury!
The heat pump may only be put into operation again after all the cladding sections have been fitted.

- Fit all the heat pump cladding sections as described in Chap. 6.4.
- Start up the heat pump.
- Check the heat pump for correct functioning.

10 Troubleshooting and diagnosis




Danger!
Troubleshooting and diagnostics measures may only be carried out by a recognised expert technician company.



Danger!
Risk of fatal electric shock from touching live connections! Before commencing work on the heat pump, disconnect the power supply (circuit breaker) and secure it against being switched on again inadvertently.

10.1 Error messages on the controller

Error messages appear on the display approximately 20 seconds after the error has occurred and are written to the controller's error memory if the error is present for approximately 3 minutes. You can call up the error memory in Menu I1. As long as the fault is present, you can call up the fault display by turning the left hand dial  x to the left, starting from the graphics display.

Error History	I1
Fault number	>1
Fault code	41
16.02.08 07:18	
Error CH circuit	
Sensor T3 heat source	

Fig. 10.1 Error message in error memory, Menu I1

The geoTHERM control system recognises three different types of malfunction:


- Malfunction of **components** which are connected via **eBUS**.
- **Temporary shutdown**
The heat pump remains in operation. The error is displayed and disappears independently when the cause of the fault is removed.
- **Fault-induced shutdown**
The heat pump is shut down. It can only be restarted by resetting the error after removing the cause of the fault (see Menu I 1).
- Moreover, **other errors/malfunctions** can occur on the unit or system.

10.2 Malfunctions of eBUS components


Fault code	Error text/description	Possible cause	Remedy
1	XXX address YY not accessible	A component XXX connected via the eBUS, e.g. VR 60 with the address YY is not recognised.	Check the eBUS cable and plug. Check that the address switch is correctly set.
4	XXX address YY sensor fault ZZZ	A sensor ZZZ on one of the components XXX connected via the eBUS, with the address YY, is defective.	Check the ProE plugs on the PCBs, check the sensor for correct functioning, replace sensor.
5	XXXX setpoint not achieved	XXXX setpoint not achieved.	Check temperature setpoint. Check position of temperature sensor. Deactivate temperature error detection (C13).

Table 10.1 Malfunctions of eBUS components

10.3 Displays in the error memory and under "Warning message"

The heat pump, including the compressor, remains in operation. The following errors are displayed in the error memory and in Menu  1 as warning messages.

Fault code	Error text/description	Possible cause	Remedy
26	Overheating on compressor pressure side	Excessively high output with a high flow temperature.	Reduce the heating curve. Check the required heating output (floor drying, building shells) and reduce if necessary.
36	Low brine pressure	Pressure drop in the heat source system as a result of leakage or air lock. Pressure < 0.6 bar	Check heat source system for leaks, top up brine, bleed.

Table 10.2 Display in error memory and under "Warning message" in Menu  1, no shut-down

10 Troubleshooting and diagnosis

10.4 Temporary shut-down

The compressor shuts down, the heat pump remains in operation. The compressor can start again after 5 minutes at the soonest. (see below for exceptions).

Fault code	Error text/description	Possible cause	Remedy
20	<p>Frost protection heat source monitoring source outlet</p> <p>Temperature difference at the heat source (T3 - T8) > preset value "Delta T. T3-T7"</p> <p>This error message is deactivated as standard and can only be activated via vrDIALOG parameter "permitted temp. difference" (20 K difference means deactivated).</p>	<p>Heat source pump defective, temperature sensor T8 or T3 defective.</p> <p>Too low a volume flow in the heat source circuit.</p> <p>No/full dirt filter in source return line.</p> <p>Air in brine circuit.</p>	<p>Check heat source flow rate.</p> <p>Check the plug contact on the PCB and the cable harness, check the sensor for correct position and function (resistance measurement using VR 11 characteristics, see Appendix), replace sensor.</p> <p>Check the volume flow of the well pump/brine pump (optimum temp. difference approx. 3-5 K). Fit/clean dirt filter.</p> <p>Bleed the brine circuit.</p>
22	<p>Frost protection heat source over. source outlet</p> <p>Source outlet temperature T8 too low (< Freeze protect temp. parameter in Menu A4)</p>	<p>Heat source pump defective, temperature sensor T8 defective.</p> <p>Too low a volume flow in the heat source circuit.</p> <p>No/full dirt filter in source return line.</p> <p>Air in brine circuit.</p>	<p>Check heat source flow rate.</p> <p>Check the plug contact on the PCB and the cable harness, check the sensor for correct position and function (resistance measurement using VR 11 characteristics, see Appendix), replace sensor.</p> <p>Check the volume flow of the well pump/brine pump (optimum temp. difference approx. 3-5 K). Clean the filter</p> <p>Bleed the brine circuit.</p>

Table 10.3 Temporary malfunctions

Fault code	Error text/description	Possible cause	Remedy
27	Coolant pressure too high The integrated high pressure switch tripped at 30 bar (g). The heat pump can start again after a 60 minute wait at the earliest.	Heat consuming side using too little heat. Possible causes:	
		Air in the heating system.	Bleed the heating system.
		Defective heating pump or pump output has reduced.	Check pump, replace if necessary.
		Radiator heating without low loss header or buffer cylinder.	Check the system.
		Buffer cylinder, sensors VF1 and RF1 interchanged.	Check the sensor positions.
		Too low a volume flow as a result of closing individual room controllers in an underfloor heating system. Brief heating operation occurs after every DHW charge if the outside temperature falls below the outside temp. switch-off limit! The control system checks if heating operation is required.	Check the system.
		Domestic hot water cylinder with too low a power input installed.	Check power input.
		Existing dirt strainers clogged or incorrectly dimensioned.	Clean dirt strainers.
		Stop valves closed.	Open all stop valves.
28	Coolant pressure too low The integral low pressure switch has tripped at 1,25 bar (g).	Coolant flow rate too low (e.g. thermal expansion valve TEV incorrectly adjusted or defective).	Check coolant circuit.
		Heat source providing too little heat. Possible causes:	
		Air in the heat source circuit.	Bleed the heat source circuit.
		Brine pump defective or pump output has decreased.	Check brine pump.
		The flow in some circuits is not constant. Recognisable by different degrees of icing on individual brine circuits.	Adjust the brine circuits.
		Existing dirt strainers clogged or incorrectly dimensioned.	Clean dirt strainers.
		Not all the required stop valves are open.	Open all stop valves.
29	Coolant pressure outside the range If the error occurs twice in a row the heat pump cannot be started until after 60 min. at the earliest.	Coolant flow rate too low (e.g. thermal expansion valve TEV incorrectly adjusted or defective).	Check coolant circuit.
		Coolant pressure too high or too low, all above-mentioned causes possible Errors (27 and 28).	See Errors 27 and 28.

Table 10.3 Temporary malfunctions (cont.)

10 Troubleshooting and diagnosis

10.5 Blocking error

The heat pump is shut down. It can only be restarted by resetting the error after removing the cause of the fault (see Menu I 1).

With the exception of Errors 90 and 91, these do not need to be reset. The heat pump starts again when the cause of the error has been removed.

Emergency mode

Depending on the nature of the malfunction, there are settings that can be made to allow the heat pump to continue operating in an emergency mode (by means of the integrated electrical heating) until the fault is cleared, either in heating operation (display: "CH priority"), hot water operation (display: "DHW priority") or both (display: "CH priority/DHW priority"), see the following tables, "Emergency operation" column.

Fault code	Error text/description	Emergency mode	Possible cause	Remedy
32	Error heat source sensor T8 Short-circuit in the sensor	possible	The internal sensor for the source outlet temperature is defective or not properly plugged into the PCB.	Check the plug contact on the PCB and the cable harness, check the sensor for correct position and function (resistance measurement using VR 11 characteristics, see Appendix), replace sensor.
33	Error heat circuit pressure sensor short-circuit in the pressure sensor		The pressure sensor in the heating circuit is defective or not properly plugged in.	
34	Error brine pressure sensor short-circuit in the pressure sensor	possible	The pressure sensor in the heat source circuit is defective or not properly plugged in.	Check the plug contact on the PCB and the cable harness, check pressure sensor for correct functioning, replace pressure sensor.
40	Error comp outlet sensor T1 Short-circuit in the sensor	possible	The internal temperature sensor on the high pressure side of the compressor is defective or not properly plugged into the PCB.	
41	Error heat source sensor T3 Short-circuit in the sensor	possible	The internal sensor for the source inlet temperature is defective or not properly plugged into the PCB.	Check the plug contact on the PCB and the cable harness, check the sensor for correct position and function (resistance measurement using VR 11 characteristics, see Appendix), replace sensor.
42	Error HP return sensor T5 Short-circuit in the sensor	possible	The internal temperature sensor on the heating return line is defective or not properly plugged into the PCB.	
43	Error HP flow sensor T6 Short-circuit in the sensor	possible	The internal temperature sensor on the heating flow line is defective or not properly plugged into the PCB.	
44	Error external sensor AF Short-circuit in the sensor	possible	The outside temperature sensor or its connecting cable is defective or it is not connected correctly.	Check the ProE plug on the PCB, check the connecting cable, replace the sensor.
45	Error DHW tank sensor SP Short-circuit in the sensor	possible	The cylinder temperature sensor is defective or it is not connected correctly.	
46	Error HB flow sensor VF1 Short-circuit in the sensor	possible	The upper sensor in the buffer cylinder is defective or it is not connected correctly.	Check the ProE plug on the PCB, check the sensor for correct function (resistance measurement using VR 10 characteristics, see Appendix), replace sensor.
47	Error HB return sensor RF1 Short-circuit in the sensor	possible	The lower sensor in the buffer cylinder is defective or it is not connected correctly.	
48	Error flow sensor VF2 Short-circuit in the sensor	WW operation possible	The contact temperature sensor VF2 in the heating circuit is defective or it is not connected correctly.	

Table 10.5 Fault-induced shutdown

Fault code	Error text/description	Emergency mode	Possible cause	Remedy
52	Sensors are not suited to the hydraulic plan	–	Hydraulic plan not entered correctly, sensors not connected correctly.	Check the hydraulic plan and sensor positions using the existing system.
60	Frost protection heat source monitoring source outlet Error 20 has occurred three times in a row	possible	See Error 20.	See Error 20.
62	Frost protection heat source monitoring source outlet Error 22 has occurred three times in a row	possible	See Error 22.	See Error 22.
72	Flow temperature too high for underfloor heating Flow temperature is higher than a preset value for 15 min (max. HK temp. + compr.hysteresis + 2 K) (see Chap. 8.10, default setting: 52 °C).	–	Flow sensor VF2 fitted too close to the heat pump.	Relocate flow sensor in accordance with hydraulic plan.
			Flow sensor VF2 is defective	Check flow sensor VF2, replace if necessary.
			Defective heating circulation pump or pump output has reduced.	Test heating circulation pump, replace if necessary.
			Existing dirt strainers clogged or incorrectly dimensioned.	Clean dirt strainers.
			Mixer behind buffer cylinder is defective.	Test mixer, replace if necessary.
			Max. HK temp. set too low.	Check "Max. HK temp." setting.
81	Coolant pressure too high Error 27 has occurred three times in a row	possible	See Error 27.	See Error 27.
83	Coolant pressure too low. Check heat source Error 28 has occurred three times in a row	possible	See Error 28.	See Error 28.
84	Coolant pressure outside the range Error 29 has occurred three times in a row	possible	See Error 29.	See Error 29.
90	Heating system pressure too low Pressure <0.5 bar Heat pump shuts down and goes into operation automatically when the pressure rises above 0.7 bar	–	Pressure drop in the heating system as a result of leakage, air lock or defective expansion vessel.	Check heating system for leaks, top up water, bleed, check the expansion vessel.
			Screw couplings at the rear of the heat pump are not sealing correctly.	Retighten screw couplings.
			Compression fittings on 3-way valve are leaking.	Retighten compression fittings on 3-way valve.

Table 10.5 Fault-induced shutdown (cont.)

10 Troubleshooting and diagnosis

Fault code	Error text/description	Emergency mode	Possible cause	Remedy
91	Brine pressure too low Pressure <0.2 bar Heat pump shuts down and goes into operation automatically when the pressure rises above 0.4 bar	possible	Pressure drop in the heat source system as a result of leakage or air lock.	Check heat source system for leaks, top up brine, bleed.
			Brine pressure sensor defective.	Check the plug contact on the PCB and the cable harness, check pressure sensor for correct functioning, replace pressure sensor.
			L1 and N connections on the PCB interchanged.	Check L1 and N connections on the PCB and connect correctly if necessary.
96	Error, coolant pressure sensor short-circuit in the pressure sensor	possible	A pressure sensor in the cooling circuit is defective or not properly plugged in.	Check the plug contact on the PCB and the cable harness, check pressure sensor for correct functioning, replace pressure sensor.
97	no power for compressor	possible	Start-up current limiter defective or incorrectly connected.	Check starting current limiter.

Table 10.5 Fault-induced shutdown (cont.)

10.6 Other errors/malfunctions


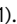
Malfunction sign	Possible cause	Remedy
The auxiliary heating does not function, even though it has been enabled by the controller (e.g. when the supply has been blocked by the power supply company (Power company blockage)); the heating or the domestic hot water cylinder do not reach the desired temperature.	The auxiliary heating is tied to a low-rate tariff which has been blocked by the power company.	Check whether the auxiliary heating is on a low-rate tariff and a power company blockage is in effect.
	The safety thermostat (STB) on the auxiliary heating has tripped.	Release the STB by pushing the button.
	Possible causes if the thermostat trips again:	
	Air in the heating system. Blocked dirt filters in the heating system return line.	Bleeding heating circuit. Clean the blocked dirt filters.
	The heating circulation pump has stopped or is running too slowly.	check the heating circulation pump and replace if necessary.
Noise in the heating circuit.	Air in the heating circuit.	Bleeding heating circuit.
	Dirt in the heating circuit.	Flush the heating circuit.
	"Out T. aux htr on" incorrectly set.	Change "Out T. aux htr on" (Menu A3).
	Faulty pump.	Check functioning of the pump; replace if necessary.
Traces of water beneath or next to the appliance.	The condensate drain is blocked.	Condensate in the interior of the unit is collected in the condensate pan and, if necessary, fed away under the unit (not a fault). Check the insulation on the pipes in the interior of the unit and re-insulate, if necessary, to reduce the accumulation of condensate.
	Leaks from the heating circuit.	Check the heating circuit components (pump, auxiliary heating, pipes) for leaks. If necessary, retighten the screw couplings and replace the seals.
Outside temperature indicates -60 °C.	Outside temperature sensor defective.	Check outside temperature sensor.
Temperatures in the heating circuit too cold or too warm.	Room target temp. not optimally set	Change room target temp. (Menu  1).
	Set-back temp. not optimally set	Change set-back temp. (Menu  1).
	Heating curve not optimally set.	Change heating curve (Menu C2).

Table 10.6 Other errors/malfunctions

11 Recycling and disposal

Both your Vaillant geoTHERM heat pump and its associated packaging consist mainly of raw materials that can be recycled.



If your heat pump carries this symbol, it must not be disposed of in the household waste at the end of its useful life. In this case, make sure that the Vaillant appliance and any accessories present are properly disposed of at the end of their useful life.

As this Vaillant appliance is not covered by the law regarding the marketing, return and environmentally friendly disposal of electrical and electronic equipment (ElektroG in Germany), free disposal at a municipal collection point is not provided.

11.2 Packaging

Make sure that the transport packaging is handed over to a proper disposal organisation.

11.3 Coolants

The Vaillant heat pump is filled with R 407 C coolant.



Danger!
R 407 C coolant!
Disposal of the coolant must only be by qualified specialists.
Do not inhale gases or vapours when disposing of the coolant.
Risk to health! Avoid contact with the skin and eyes. Escaping coolant can cause freezing if the exit point is touched! R 407 C coolant presents no danger in normal use and under normal conditions. With improper use, however, it can cause injury and damage.



Caution!
Environmental hazard!
Before disposal of the heat pump, the coolant must be disposed of at special facilities.

12 Warranty and customer service

12.1 Vaillant warranty

Vaillant provide a full parts and labour warranty for this appliance. The appliance must be installed by a suitably competent person in accordance with the Gas Safety (Installation and Use) Regulations 1998, and the manufacturer's instructions. In the UK 'CORGI' registered installers undertake the work in compliance with safe and satisfactory standards. All unvented domestic hot water cylinders must be installed by a competent person to the prevailing building regulations at the time of installation (G3).

Terms and conditions apply to the warranty, details of which can be found on the warranty registration card included with this appliance.

Failure to install and commission this appliance in compliance with the manufacturer's instructions may invalidate the warranty (this does not affect the customer's statutory rights).

12.2 Vaillant Service

To ensure regular servicing, it is strongly recommended that arrangements are made for a Maintenance Agreement. Please contact Vaillant Service Solutions (0870 6060 777) for further details.

13 Technical data

13 Technical data

Description	Unit	VWS 61/2 230 V	VWS 81/2 230 V	VWS 101/2 230 V
Article number	-	0010005501	0010005502	0010005503
Height without connections	mm	1200		
Width	mm	600		
Depth without pillars	mm	650		
Depth with pillars	mm	840		
Weight				
- with packaging	kg	156	163	167
- without packaging	kg	141	148	152
- ready for operation	kg	147	155	160
Rated voltage	-	1/N/PE 230 V 50 Hz		
- Heating circuit/Compressor		1/N/PE 230 V 50 Hz		
- Control circuit		1/N/PE 230 V 50 Hz		
- Auxiliary heating		1/N/PE 230 V 50 Hz		
Alternative operation (as-delivered condition 4 kW)	A	16/20	25/25	
Parallel operation	A	25/35	35/50	
Dual-circuit supply, heat pump tariff				
- Compressor, single	A	16	25	25
- Auxiliary heating 2/4 kW, single	A	16/20	16/20	16/20
Dual-circuit supply, special tariff				
- Alternative operation (as-delivered status 4kW)	A	16/20	25/25	25/25
Parallel operation	A	25/35	35/50	35/50
- Pumps and controllers	A	4	4	4
Start-up current				
- without start-up current limiter	A	58	76	97
- with start-up current limiter	A	< 45	< 45	< 45
Rated output				
- min. for B-5W35	kW	1.4	1.8	2.4
- max. for B20W60	kW	2.8	4.0	4.9
- Auxiliary heating	kW	2/4	2/4	2/4
EN 60529 level of protection	-	IP 20		
Hydraulic connections				
- Heating circuit flow and return	mm	G 1 1/4", diameter 28		
- Heat source flow and return	mm	G 1 1/4", diameter 28		
Heat source circuit (brine circuit)				
- Brine type	-	Ethylene glycol 30 %		
- max. operating pressure	MPa (bar)	0.3 (3)		
- min. inlet temperature	°C	-10		
- max. inlet temperature	°C	20		
- Nominal flow rate dT 3K	l/h	1453	1936	2530
- Residual head dT 3K	mbar	381	332	263
- Nominal flow rate dT 4K	l/h	1090	1452	1898
- Residual head dT 4K	mbar	461	429	380
- Electrical power consumption - pump	W	132	132	132
CH circuit				
- max. operating pressure	MPa (bar)	0.3 (3)		
- min. flow temperature	°C	25		
- max. flow temperature	°C	62		
- Nominal flow rate dT 5K	l/h	1061	1375	1803
- Residual head dT 5K	mbar	382	339	254
- Nominal flow rate dT 10K	l/h	517	697	848
- Residual head dT 10K	mbar	486	468	450
- Electrical power consumption - pump	W	93	93	93
refrigerant circuit				
- Coolant type	-	R 407 C		
- Quantity	kg	1.9	2.2	2.05
- Number of revolutions EX valve	-	9.0	9.0	9.0
- Permissible operating overpressure	MPa (bar)	2.9 (29)		
- Compressor type	-	Scroll		
- Oil	-	Ester		
- Oil filling quantity	l	1.3	1,45	1,45

Table 13.1 Technical Data (cont'd on next page)

Description	Unit	VWS 61/2 230 V	VWS 81/2 230 V	VWS 101/2 230 V
Heat pump performance data				
BOW35 dT5				
- Heating output	kW	6.0	8,1	10.5
- Power consumption	kW	1.4	1.9	2.5
- Performance figure/COP	-	4.2	4.2	4.2
B5W55				
- Heating output	kW	6.3	8.6	10.8
- Power consumption	kW	2.1	2.8	3.5
- Performance figure/COP	-	3.0	3.0	3.1
Internal sound level	dbA	49	51	53
Conforms to safety regulations	-	CE mark Low Voltage Directive 73/23/EWG EMC Directive 89/336/EWG EN 60335 ISO 5149		

Table 13.1 Technical data (cont.)



Caution!
R 407 C is a chlorine-free coolant which does not affect the ozone layer. Nevertheless, servicing work on the cooling circuit should only be carried out by authorised specialists.

14 Start-up checklist

14 Start-up checklist

Check the following checklist before putting the heat pump into service. Only operate the heat pump when all points have been satisfied in essence.

Heating circuit checklist	
During planning, was consideration given to parts of the building that are to be heated at a later time?	
Was the power for the hot water supply considered?	
Were the heating circuits in the system hydraulically balanced?	
Were leakage pressures determined by pipe network calculations?	
If planning calculations showed that pressure losses were to be expected: Was a second pump incorporated to overcome the pressure losses?	
Have you taken the minimum mass flow of the heat pump into consideration?	
Was a dirt filter incorporated in the return line?	
Was the system provided with all the safety devices described in this manual?	
Were an overflow funnel and blow-out line incorporated?	
Were the pipes insulated with thermal insulation?	
Was the heating circuit flushed, filled and bled?	
Was the heating circuit checked for leaks?	
Brine circuit checklist	
Was the brine circuit pressure tested with water and checked for leaks?	
Were the water/antifreeze mixing proportions (2:1) adhered to?	
Was the frost protection (-15 °C) tested with a frost protection tester?	
Was a pressure switch incorporated in the brine circuit?	
Was the pressure switch connected to the heat pump?	
Was a dirt filter fitted at the brine side input to the heat pump?	
Were stop valves incorporated into the brine circuit?	
Were pressure regulating valves incorporated into the brine circuit?	
Were the brine circuits hydraulically balanced?	
Was the brine expansion tank fitted?	
Was the brine source circuit filled to a pressure of 1.5 bar?	
Was the brine expansion tank filled to 2/3 full?	
Were isolating devices fitted ahead of the heat pump?	
Were the pipes thermally insulated against vapour diffusion?	

Table 14.1 Start-up checklist

Electrical installation checklist	
Is there an isolation device with at least 3 mm contact opening fitted on the customer side and was it appropriately labelled?	
Were all electrical connections properly made and in accordance with the specified electrical circuit diagrams?	
Was the protective earth properly connected?	
Do all conductors have the required cross-sections?	
Were the required automatic safety devices used and labelled in accordance with the conductor cross-sections and installation methods used?	
Were all cables fastened using strain relief clamps?	
Was any available ripple control signal from the power company connected to the heat pump?	
Assembly checklist	
Were all the cladding panels fitted?	

Table 14.1 Start-up checklist (cont.)

15 Reference

15 Reference

To the technician: Please fill in the following tables to facilitate any servicing work that may arise.

Installation and commissioning were carried out by:

Heat source construction	
Date:	
Company:	
Name:	
Telephone:	

Electrical installation	
Date:	
Company:	
Name:	
Telephone:	

Start-up	
Date:	
Company:	
Name:	
Telephone:	

Planning the heat pump system	Details
Details regarding heat demand	
Heating load of the property	
Hot water supply	
Was a central DHW supply used?	
Was the user's behaviour regarding hot water demand taken into account?	
During planning, was the increased hot water demand of Jacuzzis and showers taken into account?	
Equipment used in the heat pump system	Details
Unit designations of the installed heat pump	
Details regarding the domestic hot water cylinder	
Domestic hot water cylinder type	
Domestic hot water cylinder capacity	
Information on buffer cylinder	
Volume of buffer cylinder	
Details regarding room thermostats	
VR 90/other/none	
Details regarding the heat source system	Details
Ground probe (number, drilling depth, spacing between probes)	
Number of probes	
Spacing between probes	
Drilling depth of the probes	
Details regarding the ground collector	Details
Number of brine circuits	
Distance of the installed pipes from one another	
Pipe diameter	
Installation depth of the collector in the ground	
Length of the longest brine circuit	

Table 15.1 Reference checklist

15 Reference

Details regarding the heat consuming system	Details
If a second pump was incorporated to overcome the pressure losses: Manufacturer and type of the second pump	
Heating load of the underfloor heating	
Heating load of the wall heating	
Heating load of the combination underfloor heating/radiators	
Was a secondary return installed? (Yes/No)	
Starting up the heat pump system	Details
Checks before handing over to the user	
Pressure of the heating circuit in a cold state	
Does the heating system get warm?	
Does the water in the DHW cylinder get warm?	
Controller settings	
Were the basic settings made on the controller?	
Was the anti-legionella function programmed? (Interval and temperature)	
Handover to the user	Details
Was the user instructed on the following points?	
Basic function and operation of the controller	
Operation of the bleeding device	
Maintenance intervals	
Documentation handover	Details
Was the operating manual handed over to the user?	
Was the installation manual handed over to the user?	
Were the manuals for all the accessories handed over to the user?	

Table 15.1 Reference checklist (cont.)

Appendix

Sensor characteristics

VR 10 external temperature sensors

Temperature (°C)	Resistance (ohms)
-40	87879
-35	63774
-30	46747
-25	34599
-20	25848
-15	19484
-10	14814
-5	11358
0	8778
5	6836
10	5363
15	4238
20	3372
25	2700
30	2176
35	1764
40	1439
45	1180
50	973
55	807
60	672
65	562
70	473
75	400
80	339
85	289
90	247
95	212
100	183
105	158
110	137
115	120
120	104
125	92
130	81
135	71
140	63
145	56
150	50
155	44

Table 1, Appendix, VR 10 sensor characteristics

VR 11 internal temperature sensors

Temperature (°C)	Resistance (ohms)
-40	327344
-35	237193
-30	173657
-25	128410
-20	95862
-15	72222
-10	54892
-5	42073
0	32510
5	25316
10	19862
15	15694
20	12486
25	10000
30	8060
35	6535
40	5330
45	4372
50	3605
55	2989
60	2490
65	2084
70	1753
75	1481
80	1256
85	1070
90	916
95	786
100	678
105	586
110	509
115	443
120	387
125	339
130	298
135	263
140	232
145	206
150	183
155	163

Table 2, Appendix, VR 11 sensor characteristics

VRC-DCF outside temperature sensor

Temperature (°C)	Resistance (ohms)
-25	2167
-20	2067
-15	1976
-10	1862
-5	1745
0	1619
5	1494
10	1387
15	1246
20	1128
25	1020
30	920
35	831
40	740

Table 3, Appendix, VRC DCF sensor characteristics

Heat pump schematic

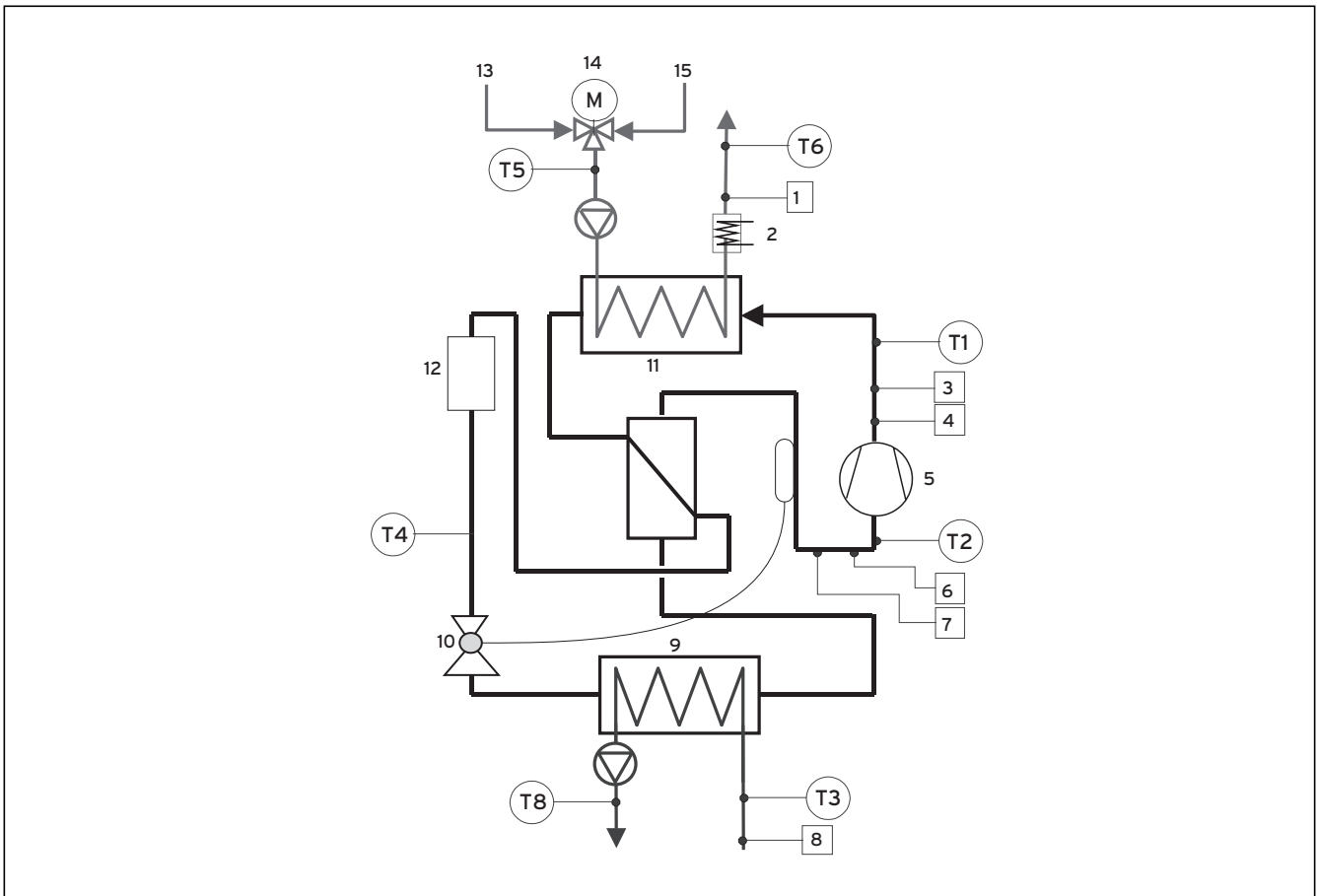


Fig. 1, Appendix, Heat pump schematic

Key to Fig. 1, Appendix

- 1 Heating circuit pressure sensor
- 2 Electric auxiliary heating
- 3 High pressure sensor
- 4 High pressure switch
- 5 Compressor
- 6 Low pressure sensor
- 7 Low pressure switch
- 8 Heat source circuit pressure sensor
- 9 Evaporator
- 10 Expansion Valve
- 11 Condenser
- 12 Filter drier
- 13 DHW return line
- 14 Heating return
- 15 Heating feed

Electrical circuit diagram

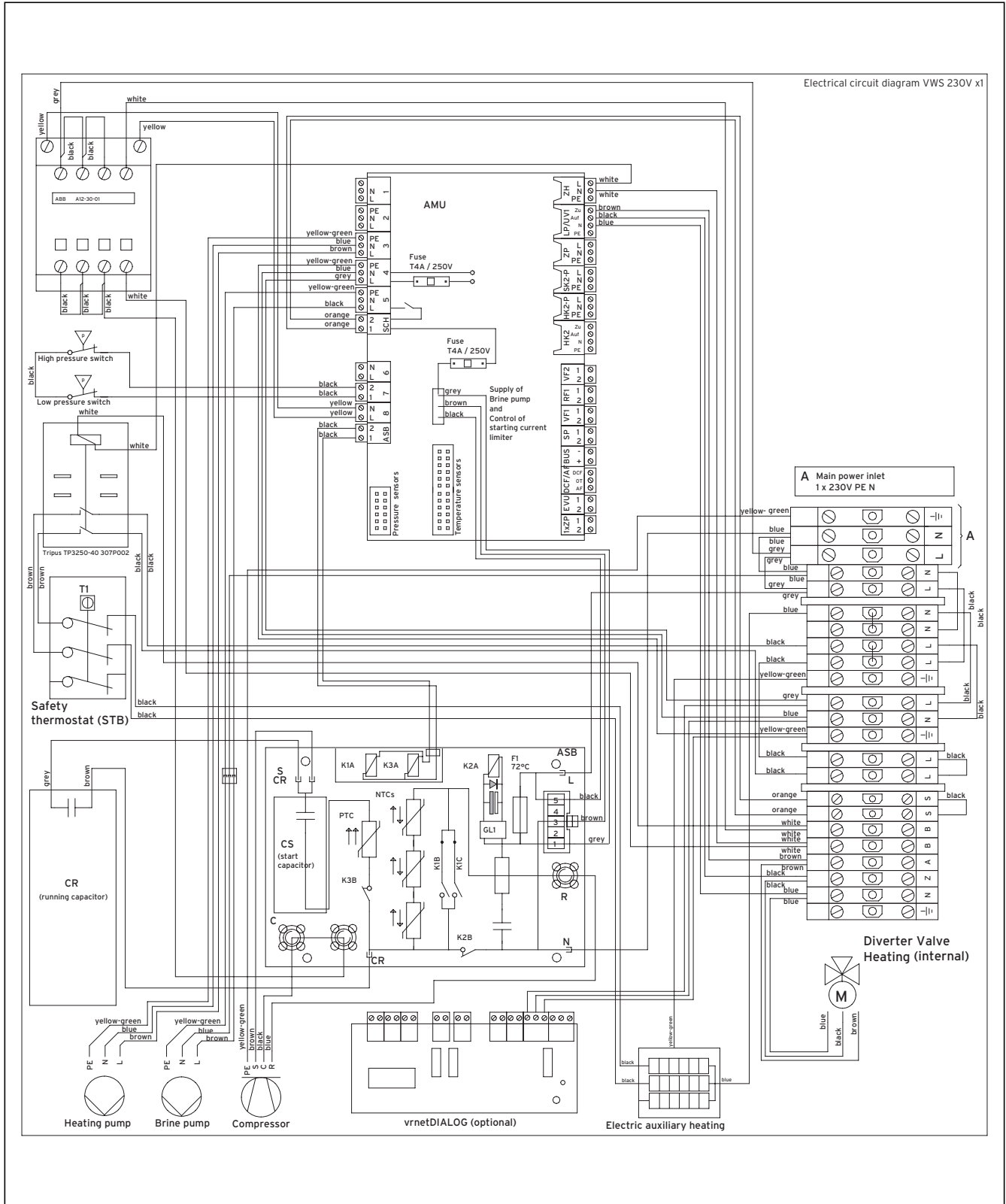


Fig. 2, Appendix, circuit diagram

Vaillant Ltd

Vaillant House ■ Medway City Estate ■ Trident Close ■ Rochester ■ Kent ME2 4EZ
Telephone 01634 292300 ■ Fax 01634 290166 ■ www.vaillant.co.uk ■ info@vaillant.co.uk

0020046310_01 GB 082008